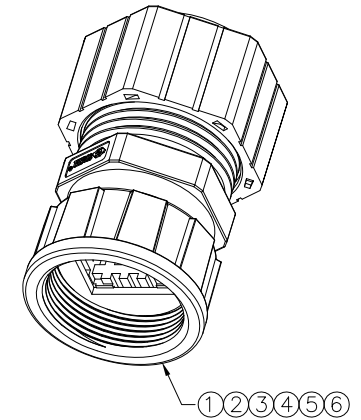
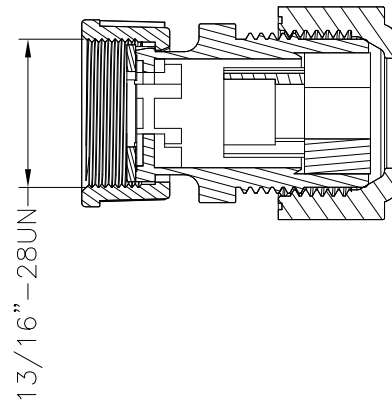
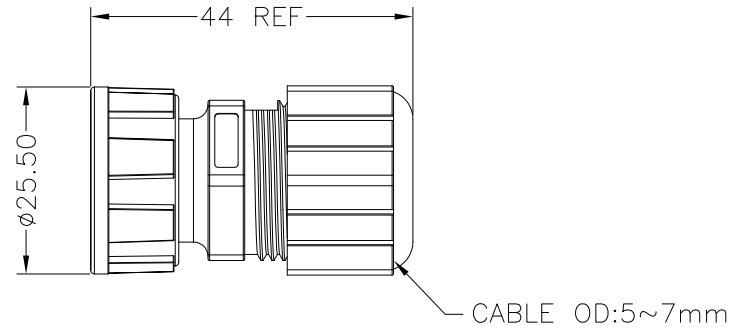
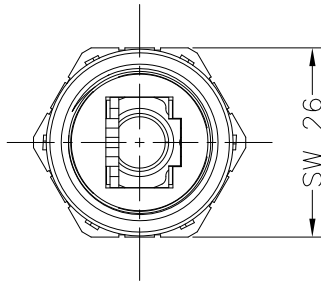


REV	DESCRIPTION	DATE	APPROVED
S0	CREATED DRAWING	2022/02/14	ZK
S1	UPDATE DRAWING	2022/02/18	ZK
S2	UPDATE DRAWING	2022/03/01	ZK
S3	UPDATE DRAWING	2022/03/11	ZK


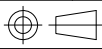


Detailed Product Description:
 Waterproof connector rating is IP67 (After correct lock)
 They can not be used permanently under water
 Per ISO-20653,IEC60529

Operating temperature: -25°C~+85°C
 Insulating plastics: PA66+GF

*ALL MATERIALS ARE RoHS COMPLIANT.

ITEM	PART NO.	SPECIFICATION	Q'TY	UNIT
⑥	OR00276	GREY SILICONE WATERPROOF COVER 7.0*16.5*9.0mm	1	PCS
⑤	OR00275	RJ45 BLACK SILICONE TAPE WATERPROOF PAD, T1.2mm	1	PCS
④	NU00173	RJ45 PLASTIC THREAD LOCK NUT (PA66) ϕ 29.0*16.9mm	1	PCS
③	NU00172	13/16"-28UN PLASTIC FEMALE NUT (PA66) ϕ 25.5*12.0mm	1	PCS
②	CN01195	RJ45 PLASTIC SHEATH (PA66) ϕ 12.7*11.0mm	1	PCS
①	CN01194	RJ45 PLASTIC BODY SHELL (PA66) ϕ 24.4*32.0mm	1	PCS

 SIGNAL [®] Shen Zhen Signal Electronics co.,Ltd		TITLE RJ45 8P8C MALE ASSEMBLE CONNECTOR(SHELL)	
		SGN NO 940000-01-003	REV.
DRAWN BY	DATE	DWG NO SGNYD2201074-1543	S3
CHECKED BY	DATE	CUSTOMER	
CHECKED BY	DATE	TOLERANCES ARE:	
APPROVED BY	DATE	DECIMALES	ANGLES
<small>THE INFORMATION CONTAINED IN THIS DRAWING IS THE SOLE PROPERTY OF SIGNAL COMPANY. ANY REPRODUCTION IN PART OR WHOLE WITHOUT THE WRITTEN PERMISSION OF SIGNAL COMPANY IS PROHIBITED.</small>		.x \pm 0.5	x.' \pm 2.0'
		.xx \pm 0.20	.x' \pm 1.0'
		THIRD ANGLE PROJECTION	
		SIZE: A4	UNITS: mm
		SCALE:	SHEET: 1 OF 1