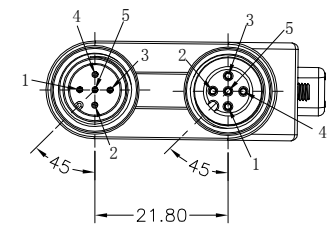
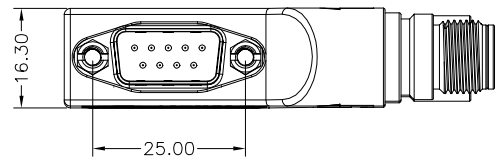
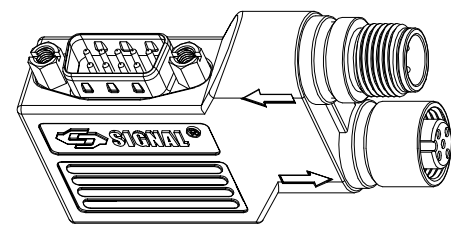
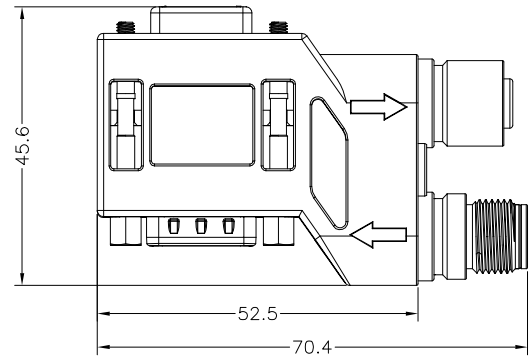
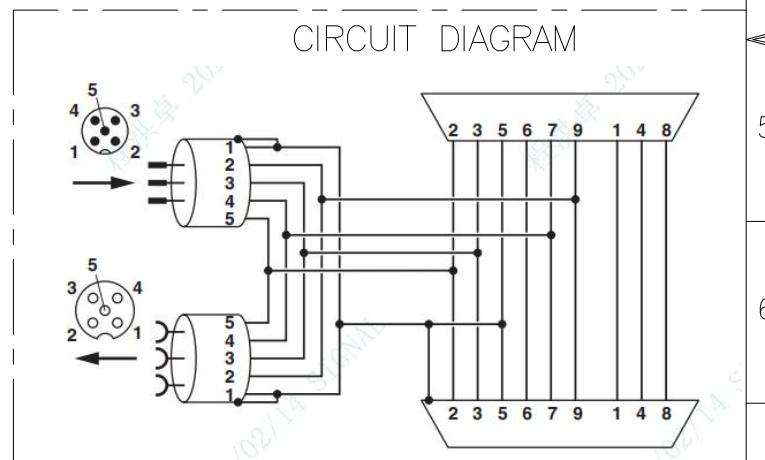
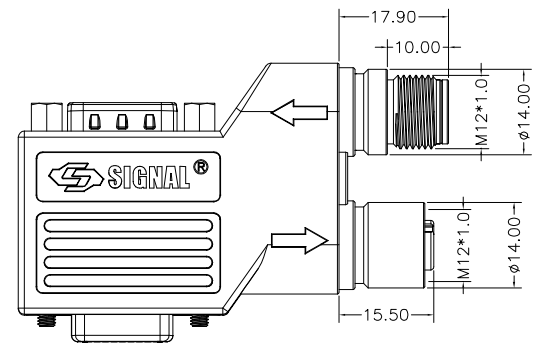


REV	DESCRIPTION	DATE	APPROVED
S0	创建图纸	2023/02/14	CHZ



Explanation:

- 1.Electrical characteristics  
Rated voltage: 5v  
Insulation resistance: >100MΩ  
Rated current: 100mA  
Contact resistance of connector ≤5mΩ
- 2.Mechanical characteristics: plug/cycle >200 cycle
- 3.Environmental characteristics  
Protection level: IP40  
Operating temperature: -20°C ~ + 85°C



⑨	YDWK0756	M12 BRASS NICKEL PLATED FEMALE HEAD HOUSING (WITH GROUND PIN)	1	PCS
⑧	CN00080-4	M12 A TYPE 5PIN BLACK SHORT BODY MASTER RUBBER CORE	1	PCS
⑦	OR00012	M12 GREEN WATERPROOF RUBBER RING φ7.00*1.5MM	1	PCS
⑥	CN00077	M12 A TYPE 5PIN BLACK NYLON MALE GLUE CORE	1	PCS
⑤	YDSW0062	4-40UNC BRASS NICKEL-PLATED SCREW L=36.5MM	2	PCS
④	YDCN1011	DB9 ELBOW INSERT PLATE CONNECTOR FEMALE	1	PCS
③	YDCN1010	DB9 ELBOW INSERT PLATE CONNECTOR MALE	1	PCS
②	PL00106	AMBER TRANSPARENT LOW PRESSURE ADHESIVE	10	G
①	PL00008	BLACK PVC 30P	30	G
ITEM	PART NO.	SPECIFICATION	Q'TY	UNIT

**SIGNAL**<sup>®</sup>

Shenzhen Signal Electronics co.,Ltd

DRAWN BY		DATE		TITLE			
CHECKED BY		DATE		DB9 TURN 2*M12(TYPE A 5-CORE) ADAPTER 90° SHORT			
CHECKED BY		DATE		SGN NO	120105-10-080		
APPROVED BY		DATE		DWG NO			
<small>THE INFORMATION CONTAINED IN THIS DRAWING IS THE SOLE PROPERTY OF SIGNAL COMPANY. ANY REPRODUCTION IN PART OR WHOLE WITHOUT THE WRITTEN PERMISSION OF SIGNAL COMPANY IS PROHIBITED.</small>				CUSTOMER	S0		
				REV.			
TOLERANCES ARE:		THIRD ANGLE PROJECTION					
DECIMALES	ANGLES	SIZE:	A4			UNITS:	mm
.x ±0.20	x.' ±2.0°	SCALE:	1:1			SHEET:	1 OF 1
.xx ±0.10	.x' ±1.0°						