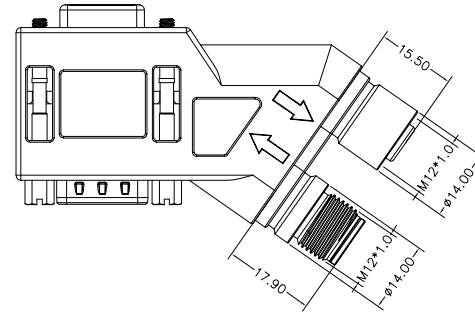
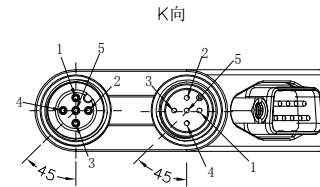
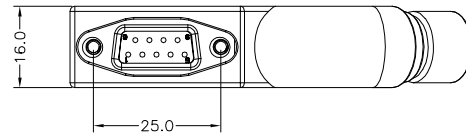
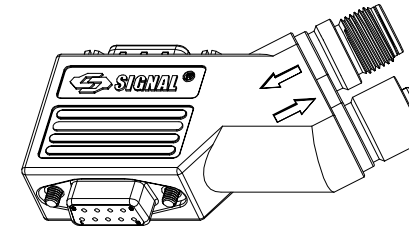
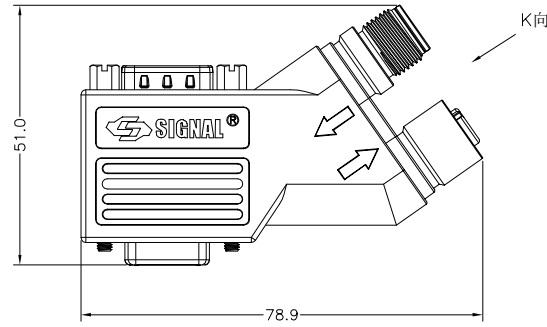
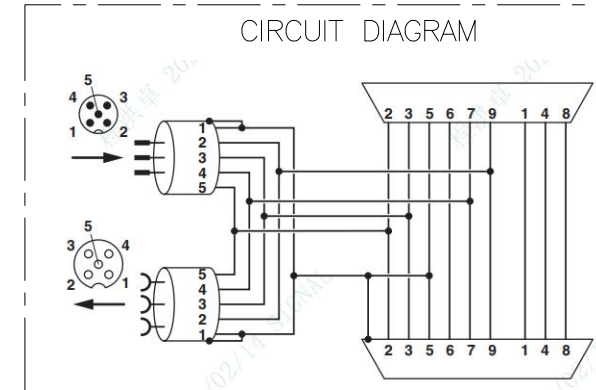


REV	DESCRIPTION	DATE	APPROVED
S0	CREATE DRAWINGS	2023/02/15	CHZ



Explanation:

- 1.Electrical characteristics
Rated voltage: 5v
Insulation resistance: >100MΩ
Rated current: 100mA
Contact resistance of connector ≤5mΩ
- 2.Mechanical characteristics: plug/cycle
>200 cycle
- 3.Environmental characteristics
Protection level: IP40
Operating temperature: -20°C ~ + 85°C



⑨	YDWK0756	M12 BRASS NICKEL PLATED FEMALE HEAD HOUSING (WITH GROUND PIN)	1	PCS
⑧	CN00080-4	M12 A TYPE 5PIN BLACK SHORT BODY MASTER RUBBER CORE	1	PCS
⑦	OR00012	M12 GREEN WATERPROOF RUBBER RING φ7.00*1.5MM	1	PCS
⑥	CN00077	M12 A TYPE 5PIN BLACK NYLON MALE GLUE CORE	1	PCS
⑤	YDSW0062	4-40UNC BRASS NICKEL-PLATED SCREW L=36.5MM	2	PCS
④	YDCN1011	DB9 ELBOW INSERT PLATE CONNECTOR FEMALE	1	PCS
③	YDCN1010	DB9 ELBOW INSERT PLATE CONNECTOR MALE	1	PCS
②	PL00106	AMBER TRANSPARENT LOW PRESSURE ADHESIVE	10	G
①	PL00008	BLACK PVC 30P	30	G
ITEM	PART NO.	SPECIFICATION	Q'TY	UNIT

SIGNAL[®]

Shenzhen Signal Electronics co.,Ltd

DRAWN BY		DATE		TITLE	
CHECKED BY		DATE		DB9 TURN 2*M12(TYPE A 5-CORE) ADAPTER 90°	
CHECKED BY		DATE		SGN NO	120105-10-081
APPROVED BY		DATE		DWG NO	
THE INFORMATION CONTAINED IN THIS DRAWING IS THE SOLE PROPERTY OF SIGNAL COMPANY. ANY REPRODUCTION IN PART OR WHOLE WITHOUT THE WRITTEN PERMISSION OF SIGNAL COMPANY IS PROHIBITED.				CUSTOMER	SO
TOLERANCES ARE:		THIRD ANGLE PROJECTION		REV.	
DECIMALES	ANGLES			SIZE: A4	
.x ±0.20	x.' ±2.0'	SCALE: 1:1		UNITS: mm	
.xx ±0.10	.x' ±1.0'	SHEET: 1 OF 1			