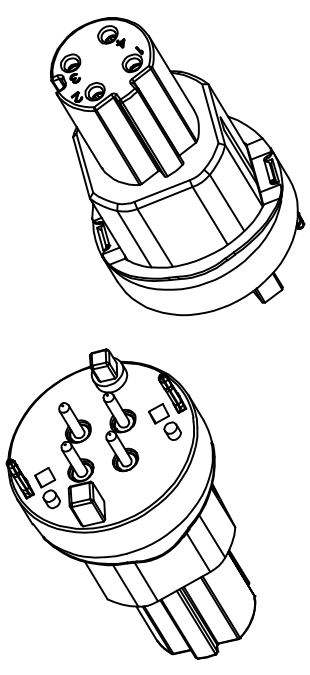
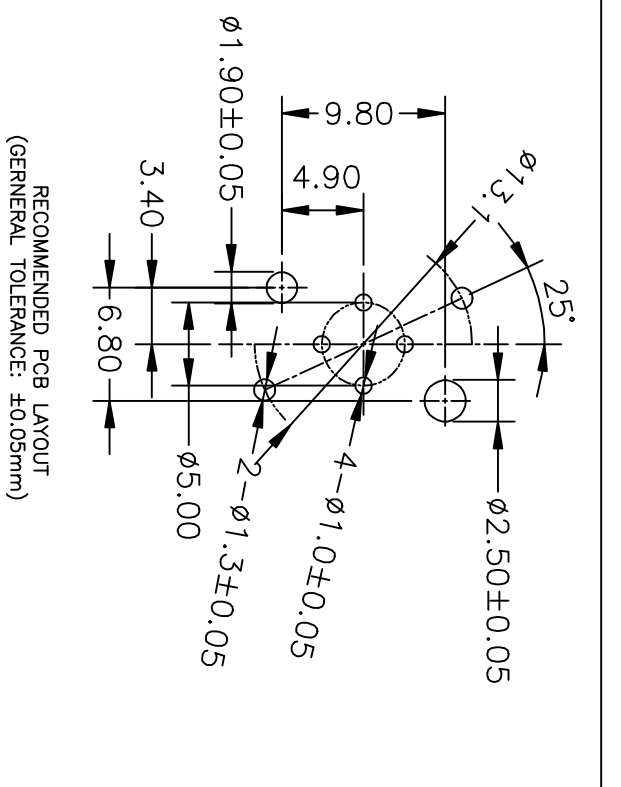
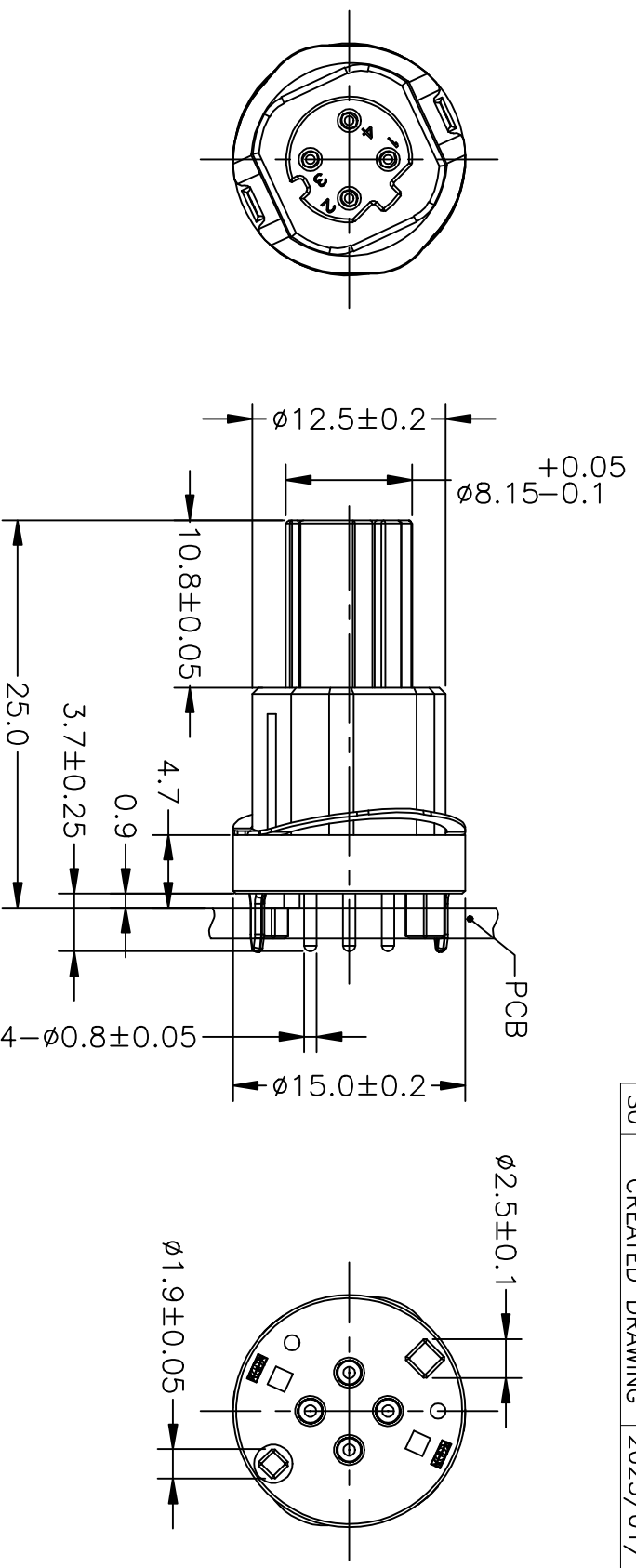


REV	DESCRIPTION	DATE	APPROVED
S0	CREATED DRAWING	2023/01/10	ZK



		Shenzhen Signal Electronics co.,Ltd	
		DRAWN BY	DATE
		CHECKED BY	DATE
		CHECKED BY	DATE
APPROVED BY	DATE		
TITLE		SGN NO	REV.
M12 D-CODING 4PIN FEMALE PCB RECEPTACLE		120404-04-149	
DWG NO		CUSTOMER	
SGNYD2108075-3			
TOLERANCES ARE:		THIRD ANGLE PROJECTION	
DECIMALS ANGLES		SIZE: A4	UNITS: mm
.x ± 0.5 .xx ± 0.20		SCALE: 1:1	SHEET: 1 OF 1

Web: <http://www.signal-conductor.com/>
E-mail: sales@sz-signal.com