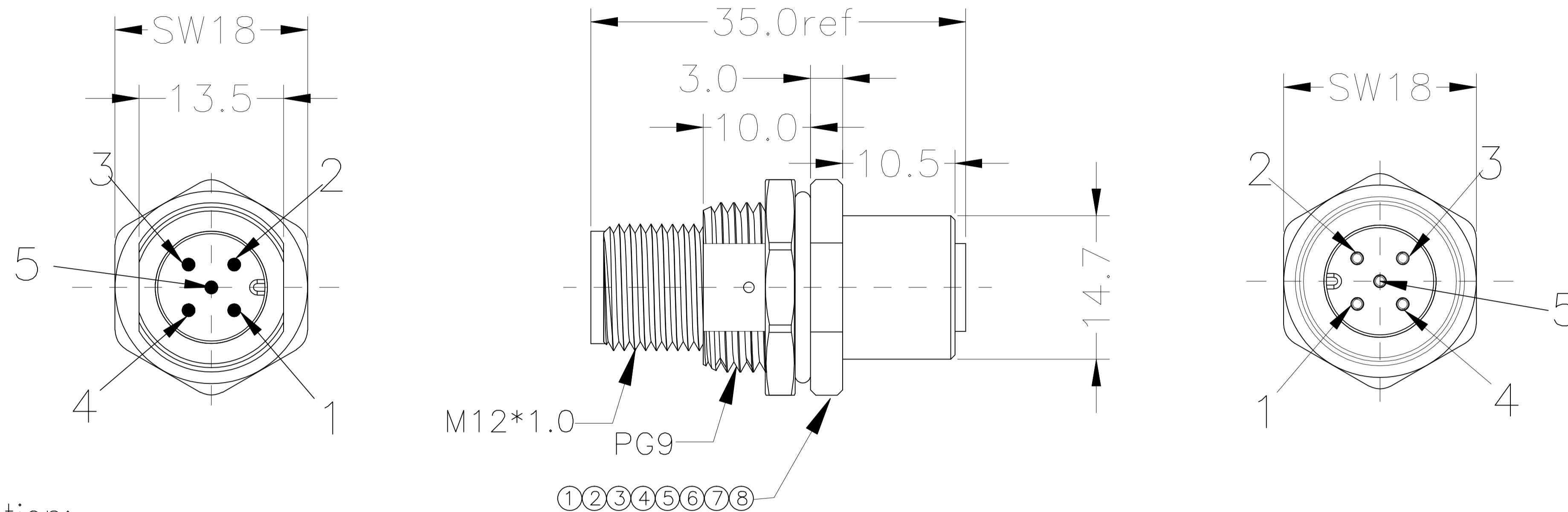


PROJECT NO:
XXXXX

REV	DESCRIPTION	DATE	APPROVED
SO	UPDATED DRAWING	2019/07/15	YMX



Detailed Product Description:
Waterproof connector rating is IP68
They can not be used permanently under water

Connector Electrical character
Rating voltage: 60V
Insulation resistance: >100MΩ
Rating current: 4A
Contact resistance of connector ≤10mΩ
Mechanical characteristics: mating / cycle >100cycle
Operating temperature: -25°C ~ +85°C

ALL MATERIALS ARE RoHS COMPLIANT

⑧	NU00006	PG9 BRASS PLATED NI L*W=2.8*18mm	1	PCS
⑦	GL00002	Black glue A/B (ethoxyline resin)	2	g
⑥	OR00012	O-Ring GREEN FKM $\phi 7.0 \times \phi 1.5$ mm	1	PCS
⑤	OR00008	O-Ring GREEN FKM $\phi 13.0 \times \phi 2.0$ mm	1	PCS
④	N/A	M12 brass nickel plated, male to female shell L=32.80mm back threaded PG9	1	PCS
③	TE00266	M12 $\phi 1.0$ connector male to female needle L=31.8mm	5	PCS
②	CN00080	M12 A TYPE 5pin black nylon and female rubber core pinhole 5*1.55mm	1	PCS
①	CN00077	M12 A TYPE 5pin black nylon and male rubber core pinhole 5*1.55mm	1	PCS
ITEM	PART NO.	SPECIFICATION	Q'TY	UNIT



ShenZhen Signal Electronics co.,Ltd

DRAWN BY

DATE

CHECKED BY

DATE

APPROVED BY

DATE

THE INFORMATION CONTAINED IN THIS DRAWING IS THE SOLE PROPERTY OF SIGNAL COMPANY. ANY REPRODUCTION IN PART OR WHOLE WITHOUT THE WRITTEN PERMISSION OF SIGNAL COMPANY IS PROHIBITED.

TITLE M12 5P/M REAR TO 5P/F MOUNT(PG9) CONNECTOR

SGN NO 120105-10-001

REV.

DWG NO

CUSTOMER

SO

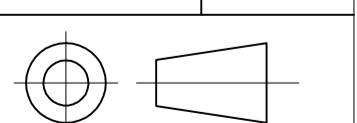
TOLERANCES ARE:

DECIMALES ANGLES

.x ±0.50 x' ±2.0'

.xx ±0.20 .x' ±1.0'

THIRD ANGLE PROJECTION



SIZE: A4 UNITS: mm

SCALE: SHEET: 1 OF 1