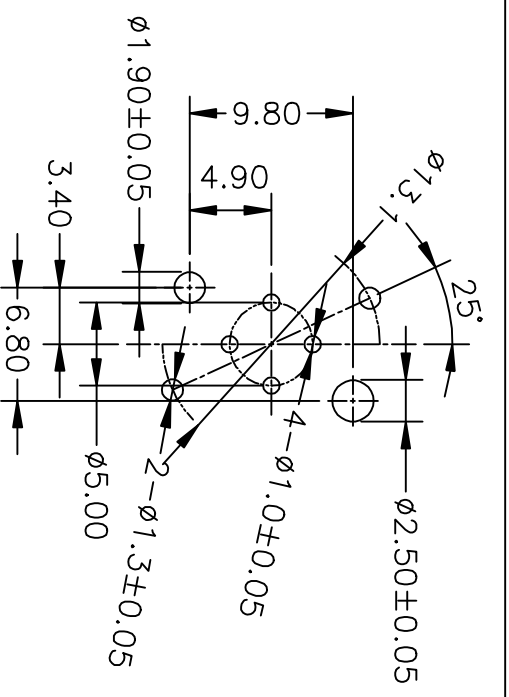
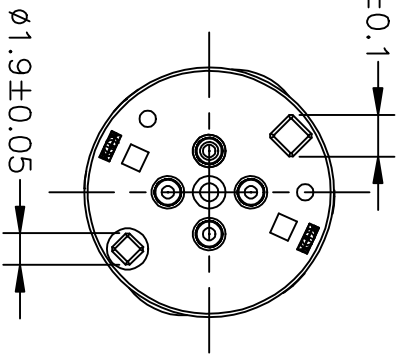
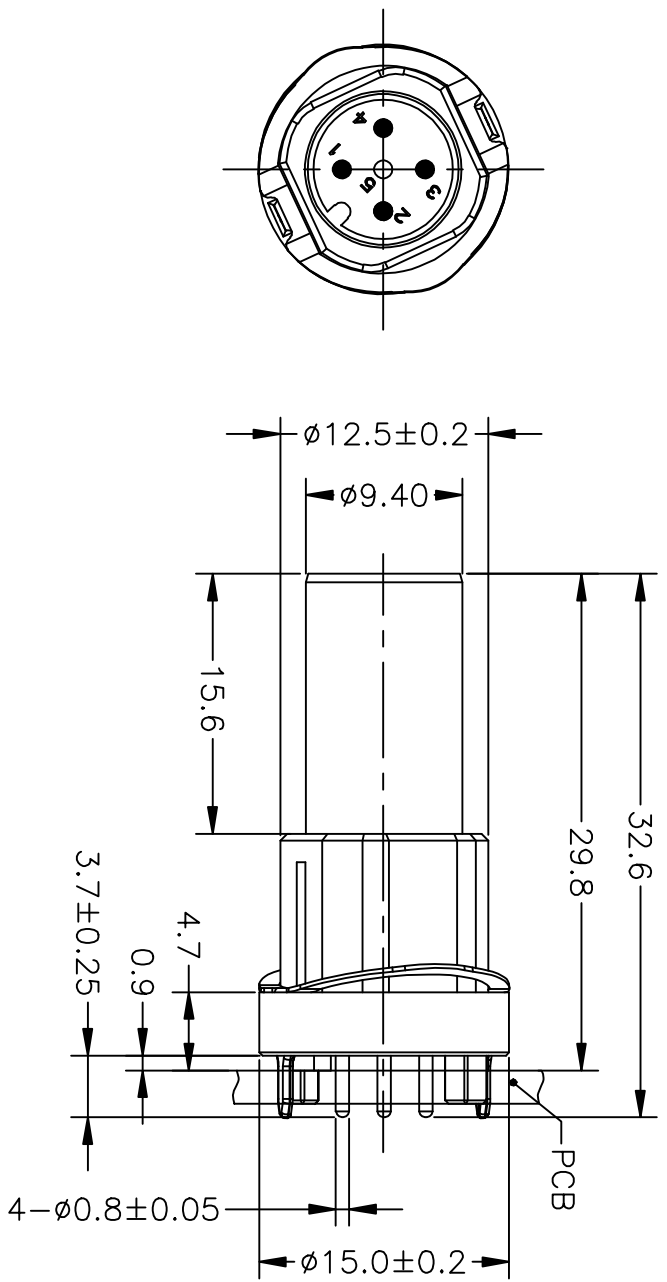
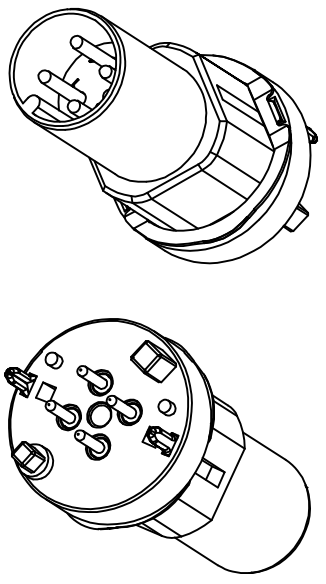


REV	DESCRIPTION	DATE	APPROVED
S0	CREATED DRAWING	2023/01/10	ZK



RECOMMENDED PCB LAYOUT  
(GENERAL TOLERANCE:  $\pm 0.05\text{mm}$ )



Shenzhen Signal Electronics co.,Ltd

DRAWN BY	DATE	SGN NO	120104-03-153	TITLE	M12 A-CODING 4PIN MALE PCB RECEPTACLE
CHECKED BY	DATE	DWG NO	SGNYD2108075-6	CUSTOMER	
CHECKED BY	DATE	APPROVED BY	DATE	TOLERANCES ARE:	THIRD ANGLE PROJECTION
				DECIMALS: $\times \pm 0.5$	SIZE: A4
				ANGLES: $\times' \pm 2.0'$	UNITS: mm
				PERMISSION OF SIGNAL COMPANY IS REQUIRED.	SCALE: 1:1
					SHEET: 1 OF 1