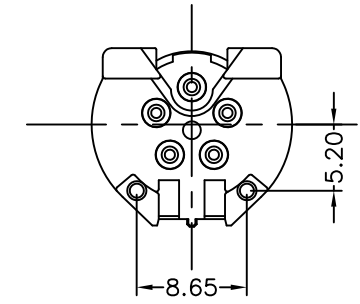
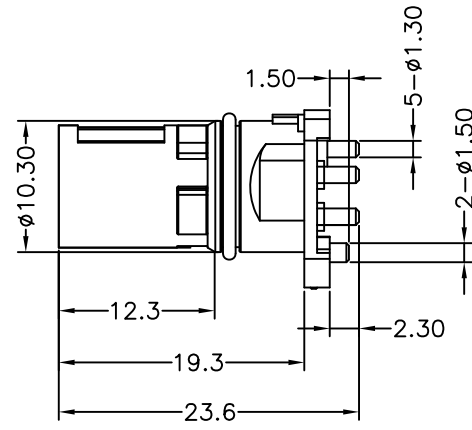
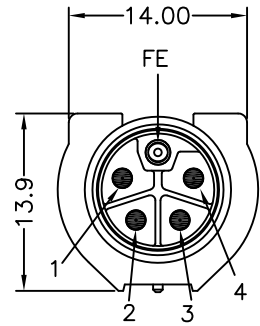
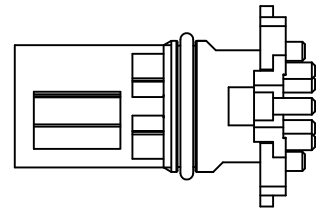


REV	DESCRIPTION	DATE	APPROVED
S0	CREATED DRAWING	2022/02/24	ZK
S1	UPDATE DRAWING	2022/03/01	ZK
S2	UPDATE DRAWING	2022/03/04	ZK
S3	UPDATE DRAWING	2022/05/03	ZK

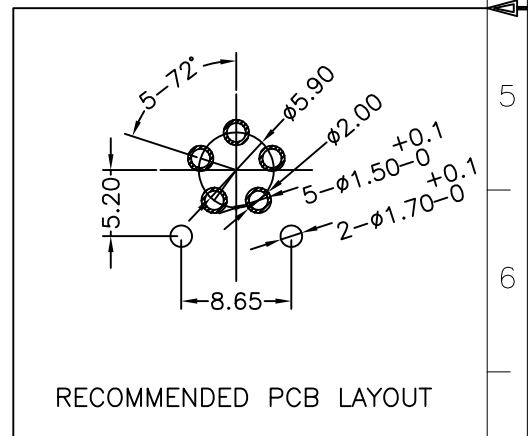
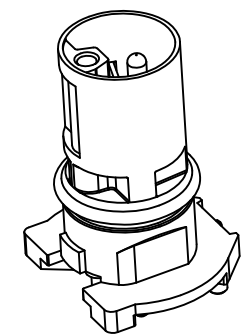


Detailed Product Description:
 Waterproof connector rating is IP67
 They can not be used permanently under water.
 Per ISO-20653,IEC60529

Rating voltage: 63V AC/60V DC
 Insulation resistance: >100MΩ
 Rating current: 16A
 Contact resistance of connector ≤5mΩ
 Mechanical characteristics: mating/cycle >100cycle
 Operating temperature: -25°C ~ +105°C

The highest temperature: 265°C
 According to IEC61076-2-101

*ALL MATERIALS ARE RoHS COMPLIANT.



ITEM	PART NO.	SPECIFICATION	Q'TY	UNIT
④	OR00016	BLACK O-RING φ8.0*φ10.0*φ1.0	1	PCS
③	N/A	M12 L TYPE 5PIN MALE TERMINAL	4	PCS
②	YDTE0669	M12 L TYPE 5PIN FEMALE TERMINAL	1	PCS
①	N/A	M12 L 5P(4+PE) BLACK MALE HOUSING(LCP)	1	PCS

SIGNAL[®]
 Shen Zhen Signal Electronics co.,Ltd

DRAWN BY	DATE
CHECKED BY	DATE
CHECKED BY	DATE
APPROVED BY	DATE

THE INFORMATION CONTAINED IN THIS DRAWING IS THE SOLE PROPERTY OF SIGNAL COMPANY.
 ANY REPRODUCTION IN PART OR WHOLE WITHOUT THE WRITTEN PERMISSION OF SIGNAL COMPANY IS PROHIBITED.

TITLE M12 L CODING 5P/M DIP CONNECTOR	
SGN NO 121005-03-016	REV. S3
DWG NO SGN YD2202086-1	
CUSTOMER	
TOLERANCES ARE: DECIMALES .x ±0.15 .xx ±0.10	ANGLES x.' ±2.0° .x' ±1.0°
THIRD ANGLE PROJECTION	SCALE: 1:1
SIZE: A4	UNITS: mm
SHEET: 2 OF 2	