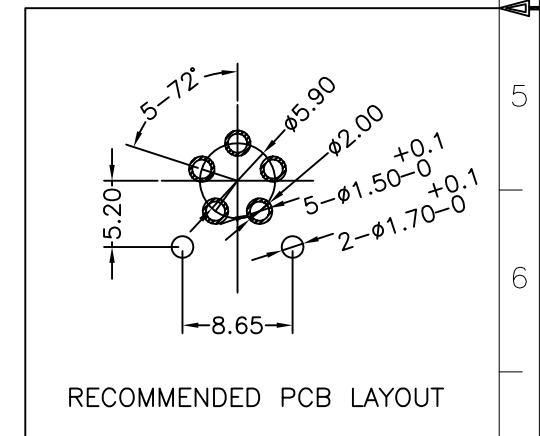
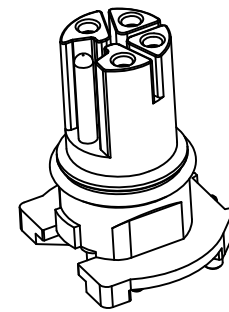
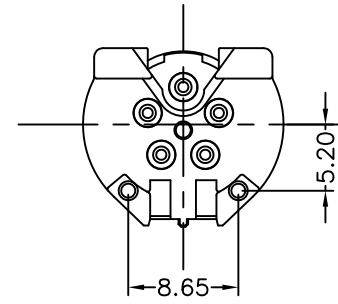
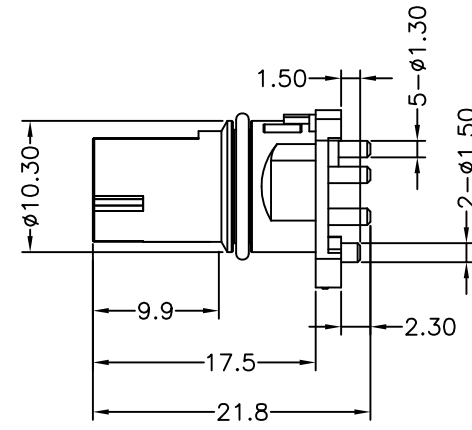
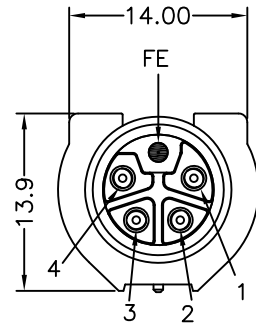
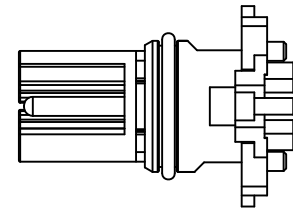


| REV | DESCRIPTION | DATE | APPROVED |
|-----|-----------------|------------|----------|
| S0 | CREATED DRAWING | 2022/02/24 | ZK |
| S1 | UPDATE DRAWING | 2022/03/01 | ZK |
| S2 | UPDATE DRAWING | 2022/03/04 | ZK |
| S3 | UPDATE DRAWING | 2022/05/03 | ZK |



Detailed Product Description:
 Waterproof connector rating is IP67
 They can not be used permanently under water.
 Per ISO-20653,IEC60529

Rating voltage: 63V AC/60V DC
 Insulation resistance: >100MΩ
 Rating current: 16A
 Contact resistance of connector ≤5mΩ
 Mechanical characteristics: mating/cycle >100cycle
 Operating temperature: -25°C ~ +105°C

The highest temperature: 265°C
 According to IEC61076-2-101

*ALL MATERIALS ARE RoHS COMPLIANT.

| ITEM | PART NO. | SPECIFICATION | Q'TY | UNIT |
|------|----------|--|------|------|
| ④ | OR00016 | BLACK O-RING φ8.0*φ10.0*φ1.0 | 1 | PCS |
| ③ | YDTE0670 | M12 L TYPE 5PIN MALE TERMINAL | 1 | PCS |
| ② | YDTE0668 | M12 L TYPE 5PIN FEMALE TERMINAL | 4 | PCS |
| ① | N/A | M12 L 5P(4+PE) BLACK FEMALE HOUSING(LCP) | 1 | PCS |

SIGNAL[®]
 Shen Zhen Signal Electronics co.,Ltd

| | |
|-------------|------|
| DRAWN BY | DATE |
| CHECKED BY | DATE |
| CHECKED BY | DATE |
| APPROVED BY | DATE |

THE INFORMATION CONTAINED IN THIS DRAWING IS THE SOLE PROPERTY OF SIGNAL COMPANY.
 ANY REPRODUCTION IN PART OR WHOLE WITHOUT THE WRITTEN PERMISSION OF SIGNAL COMPANY IS PROHIBITED.

| | |
|---------------------------------------|-------------------------|
| TITLE M12 L CODING 5P/F DIP CONNECTOR | |
| SGN NO 121005-04-017 | REV. |
| DWG NO SGN YD2202086-2 | S3 |
| CUSTOMER | |
| TOLERANCES ARE: DECIMALES ANGLES | THIRD ANGLE PROJECTION |
| .x ±0.15 x.' ±2.0' | SIZE: A4 UNITS: mm |
| .xx ±0.10 .x' ±1.0' | SCALE: 1:1 SHEET:2 OF 2 |