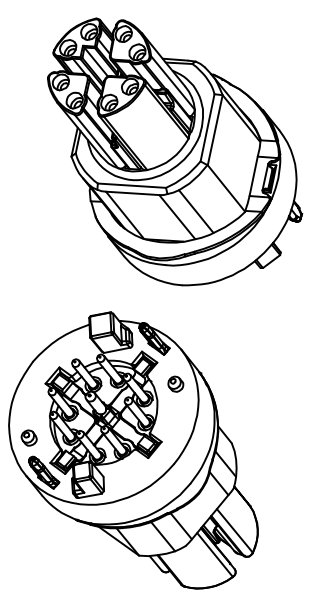
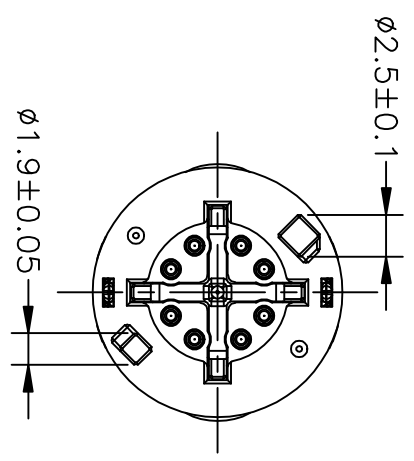
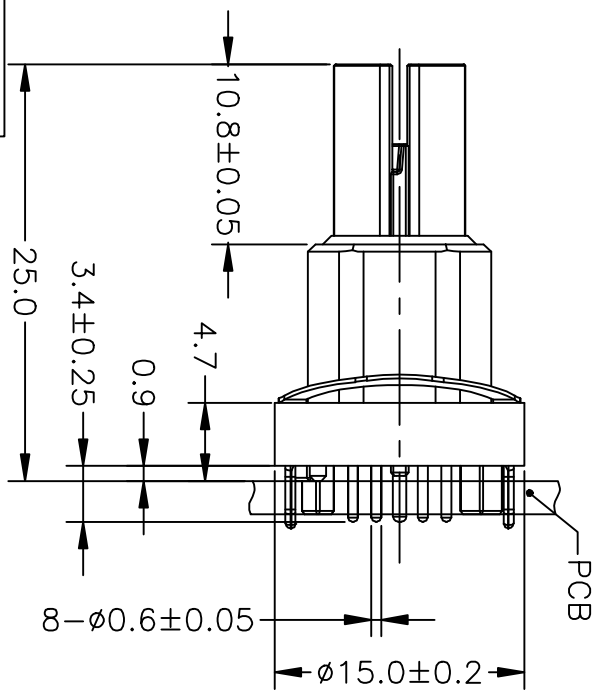
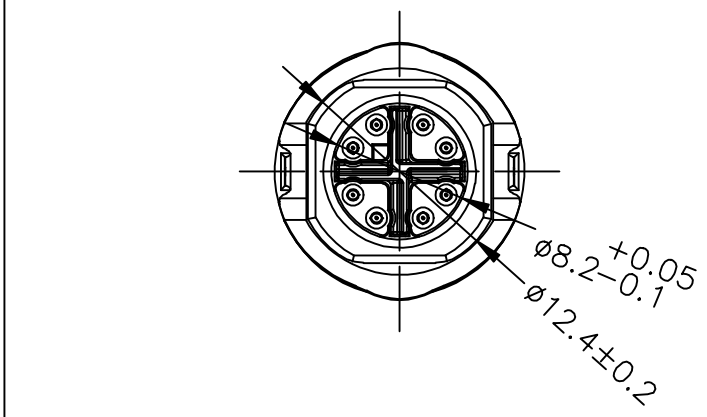
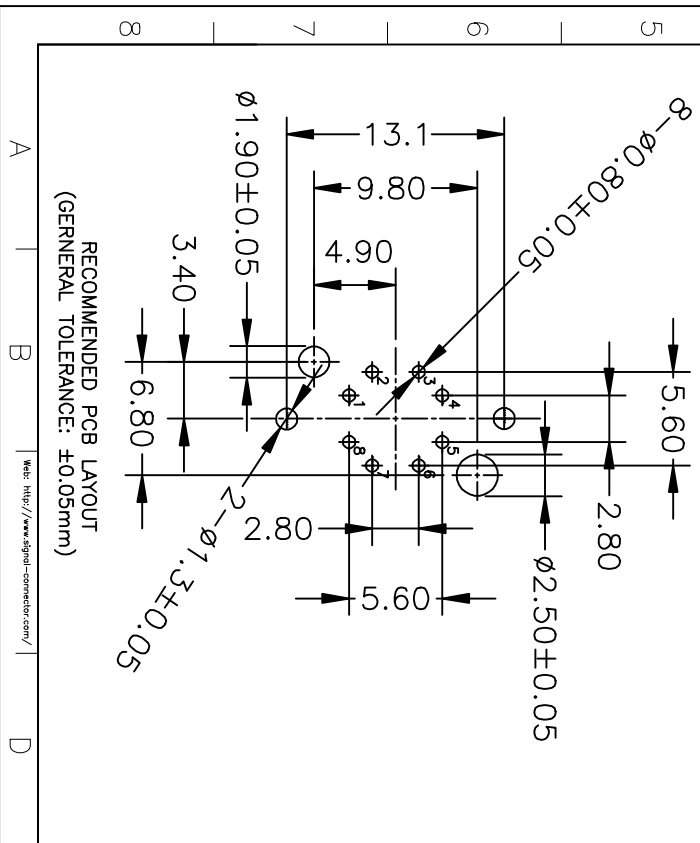


REV	DESCRIPTION	DATE	APPROVED
S0	CREATED DRAWING	2023/01/10	ZK



RECOMMENDED PCB LAYOUT
(GENERAL TOLERANCE: ±0.05mm)



Shenzhen Signal Electronics co.,Ltd

TITLE
M12 X-CODING 8PIN FEMALE PCB
RECEPTACLE

DRAWN BY DATE
CHECKED BY DATE
CHECKED BY DATE
APPROVED BY DATE

SGN NO 120708-04-089
DWG NO SGNYPD2108075-5
CUSTOMER

REV. SO

TOLERANCES ARE:
DECIMALS .x ±0.5
.xx ±0.20

ANGLES .x° ±2.0°
.x' ±1.0'

THIRD ANGLE PROJECTION
SIZE: A4
UNITS: mm
SCALE: 1:1
SHEET: 1 OF 1