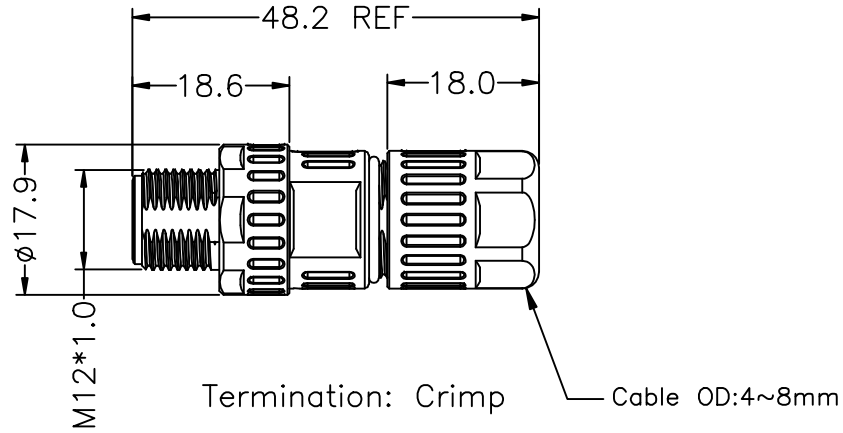
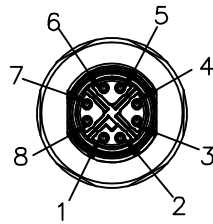


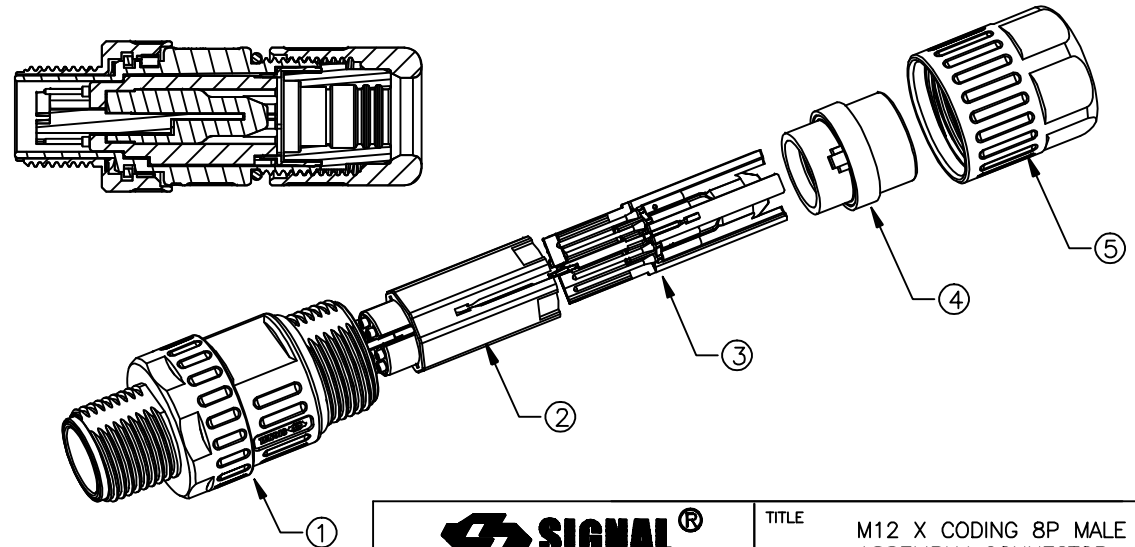
REV	DESCRIPTION	DATE	APPROVED
S0	CREATED DRAWING	2021/04/09	ZK



Detailed Product Description:
 Waterproof connector rating is IP67
 They can not be used permanently under water
 Per ISO-20653,IEC60529

Connector Electrical character
 Rating voltage: 60V
 Insulation resistance: >100MΩ
 Rating current : 0.5A
 Contact resistance of connector ≤10mΩ
 Mechanical characteristics: mating / cycle >100cycle
 Operating temperature: -25°C ~ +85°C

ALL MATERIALS ARE RoHS COMPLIANT



⑤	N/A	M14*1.0 TAIL NUT	1	SET
④	N/A	TAIL WATERPROOF PARTS	1	SET
③	N/A	M12 X 8P MALE CONNECTOR PARTS	1	SET
②	N/A	INSULATOR SHEATH	1	SET
①	N/A	M12*1.0 SHELL PART	1	SET
ITEM	PART NO.	SPECIFICATION	Q'TY	UNIT

SIGNAL [®] Shenzhen Signal Electronics Co., LTD		TITLE		M12 X CODING 8P MALE ASSEMBLY CONNECTOR
		SGN NO	120708-01-007	REV.
DRAWN BY	DATE	DWG NO	S0	
CHECKED BY	DATE	CUSTOMER		
CHECKED BY	DATE	TOLERANCES ARE: DECIMALES ANGLES .x ±0.5 x.' ±2.0' .xx ±0.20 .x' ±1.0'		
APPROVED BY	DATE			
<small>THE INFORMATION CONTAINED IN THIS DRAWING IS THE SOLE PROPERTY OF SIGNAL COMPANY. ANY REPRODUCTION IN PART OR WHOLE WITHOUT THE WRITTEN PERMISSION OF SIGNAL COMPANY IS PROHIBITED.</small>		SCALE:	SHEET: 1 OF 1	