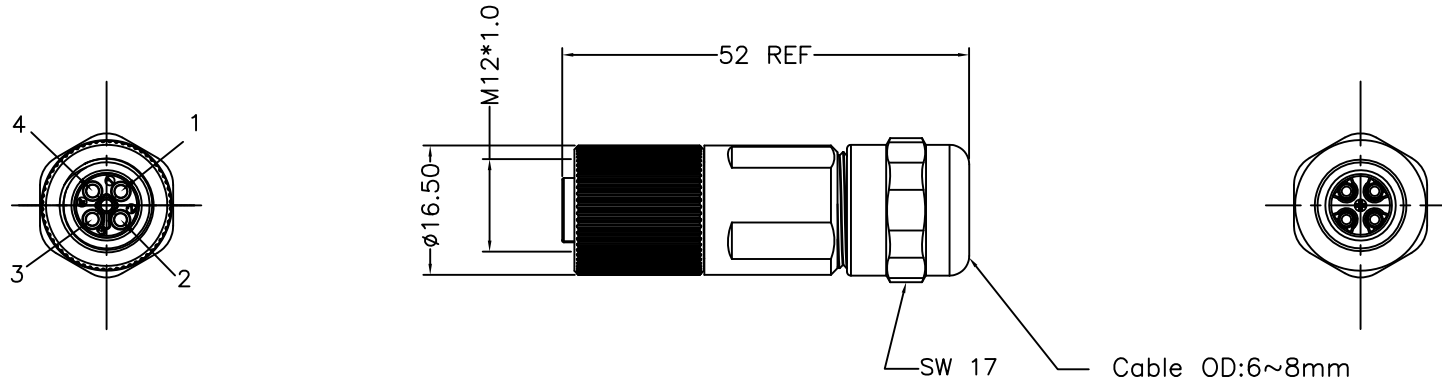


REV	DESCRIPTION	DATE	APPROVED
S0	CREATED DRAWING	2020/04/22	ZK

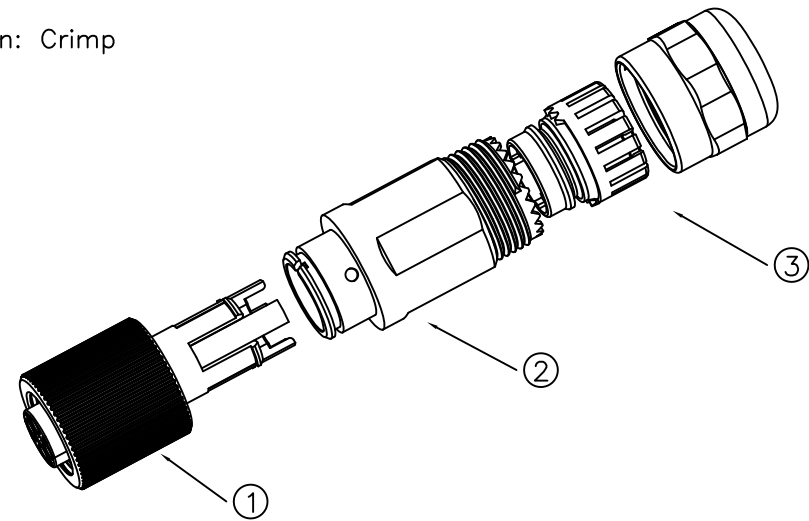


Termination: Crimp


Detailed Product Description:
 Waterproof connector rating is IP67
 They can not be used permanently under water
 Per ISO-20653, IEC60529

Connector Electrical Characteristics:
 Rating voltage: 63V AC/DC
 Insulation resistance: >100MΩ
 Rating current: 12A
 Contact resistance of connector: ≤10mΩ
 Mechanical characteristics: mating / cycle >100cycle
 Operating temperature: -25°C ~ +85°C

ALL MATERIALS ARE RoHS COMPLIANT



ITEM	PART NO.	SPECIFICATION	Q'TY	UNIT
③	N/A	M12 TAIL WATERPROOF PARTS	1	SET
②	N/A	M12 ASSEMBLY SHELL	1	SET
①	N/A	M12 T 4P FEMALE CONNECTOR	1	SET

 Shenzhen Signal Electronics Co., LTD		TITLE M12 T 4P FEMALE METAL ASSEMBLY CONNECTOR	
		SGN NO 120604-02-001	REV. SO
DRAWN BY	DATE	DWG NO	
CHECKED BY	DATE	CUSTOMER	
APPROVED BY	DATE	TOLERANCES ARE:	
<small>THE INFORMATION CONTAINED IN THIS DRAWING IS THE SOLE PROPERTY OF SIGNAL COMPANY. ANY REPRODUCTION IN PART OR WHOLE WITHOUT THE WRITTEN PERMISSION OF SIGNAL COMPANY IS PROHIBITED.</small>		DECIMALES .x ±0.5 .xx ±0.20	ANGLES x.' ±2.0' .x' ±1.0'
		THIRD ANGLE PROJECTION	SCALE: 1:1
		SIZE: A4	UNITS: mm
		SHEET: 1 OF 1	