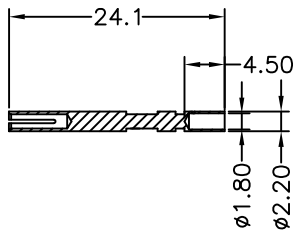
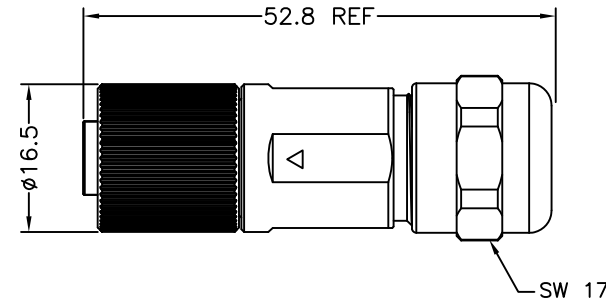
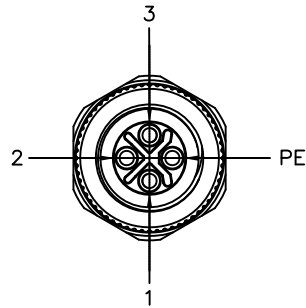


REV	DESCRIPTION	DATE	APPROVED
SO	CREATED DRAWING	2022/04/25	ZK
S1	UPDATE DRAWING	2022/07/09	ZK



TERMINAL



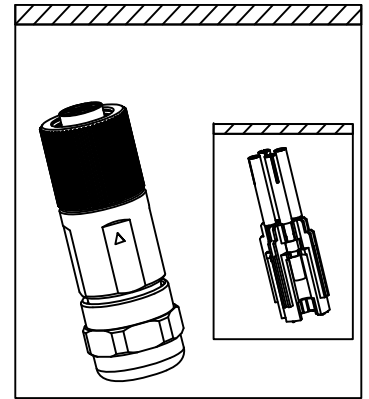
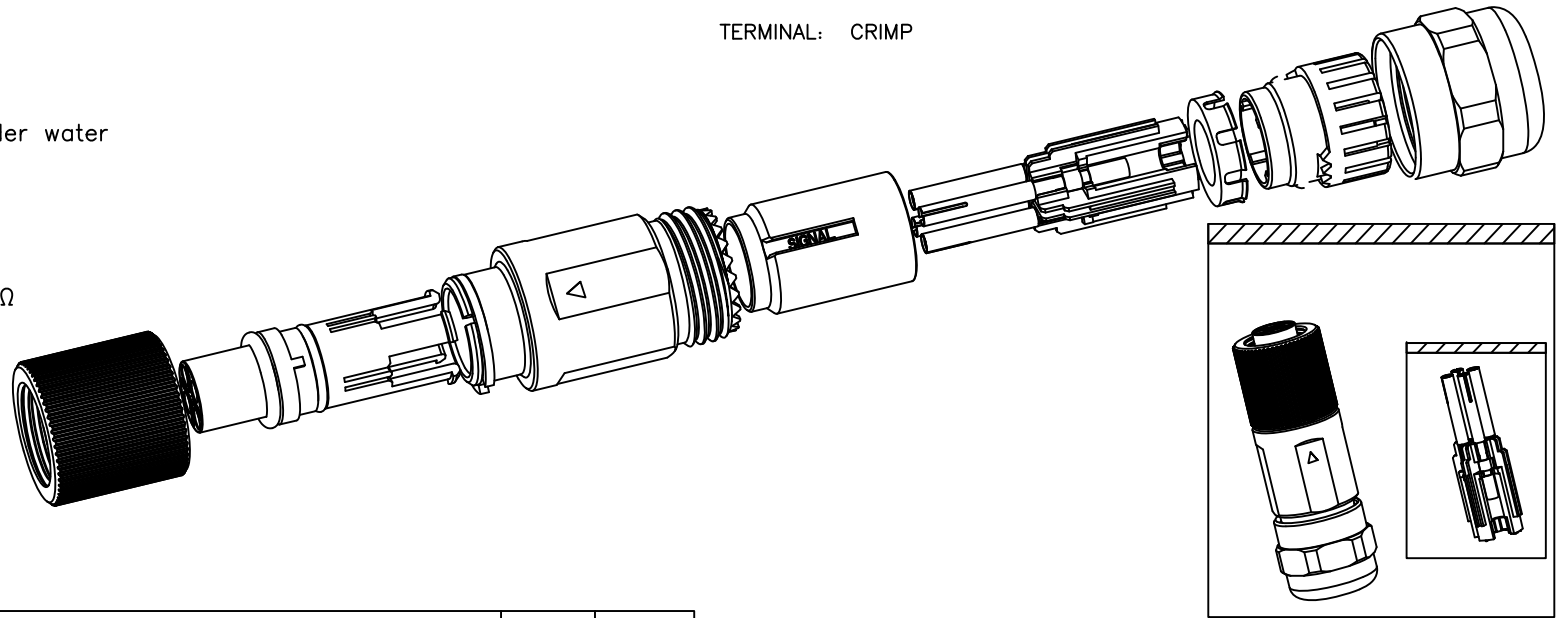
TERMINAL: CRIMP

Detailed Product Description:
Waterproof connector rating is IP67
They can not be used permanently under water

Connector Electrical Characteristics:
Rating voltage: 630V AC/DC
Insulation resistance: >100MΩ
Rating current: 12A
Contact resistance of connector: ≤10mΩ

Mechanical characteristics:
Mating/cycle: >100cycle
Operating temperature: -25°C ~ +85°C
Conductor size(REF): 0.5~1.5mm²
Cable OD: 4.5~7.5mm

ALL MATERIALS ARE RoHS COMPLIANT



⑥	N/A	PG9 METAL LOCKING NUT	1	PCS
⑤	N/A	TAIL WATERPROOF THROAT	1	SET
④	OR00012	O-RING GREEN FKM $\phi 7.0 \times 1.5\text{MM}$	1	PCS
③	N/A	M12 METAL ASSEMBLY BODY SHELL	1	PCS
②	N/A	M12 NICKEL PLATED BRASS FEMALE NUT (M12*1.0)	1	PCS
①	N/A	M12 S CODING 4PIN(3+PE) FEMALE CONNECTOR	1	SET
ITEM	PART NO.	SPECIFICATION	Q'TY	UNIT

SIGNAL[®]
Shenzhen Signal Electronics Co., LTD

DRAWN BY	DATE
CHECKED BY	DATE
CHECKED BY	DATE
APPROVED BY	DATE

THE INFORMATION CONTAINED IN THIS DRAWING IS THE SOLE PROPERTY OF SIGNAL COMPANY. ANY REPRODUCTION IN PART OR WHOLE WITHOUT THE WRITTEN PERMISSION OF SIGNAL COMPANY IS PROHIBITED.

TITLE M12 S CODING 4PIN(3+PE) FEMALE METAL ASSEMBLY CONNECTOR	
SGN NO 120504-02-005	REV. S1
DWG NO SGNYD2204045-1	
CUSTOMER	
TOLERANCES ARE: DECIMALES: .x ±0.5 .xx ±0.20	ANGLES: x' ±2.0' .x' ±1.0'
THIRD ANGLE PROJECTION	SCALE: SHEET: 1 OF 1