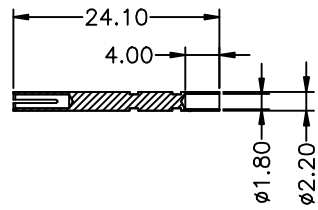
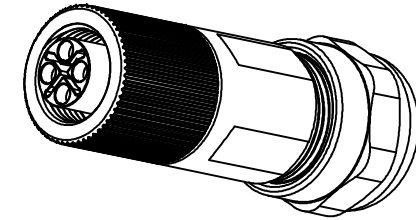
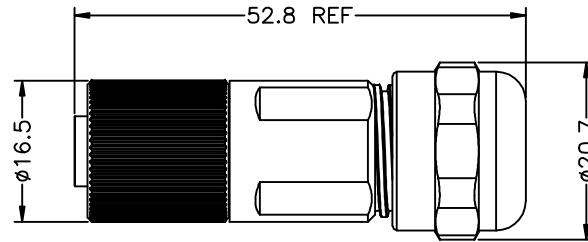
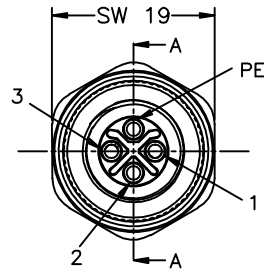
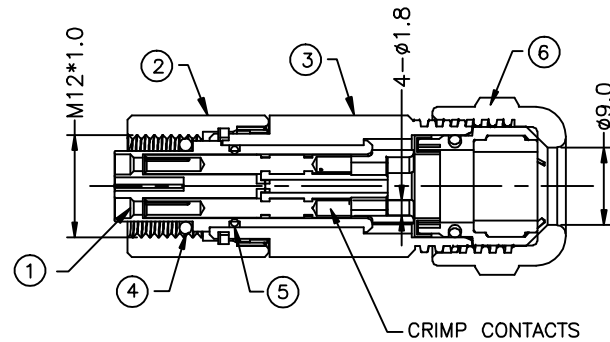


REV	DESCRIPTION	DATE	APPROVED
S4	UPDATE DRAWING	2021/01/25	ZK



TERMINAL



SECTION A-A

Detailed Product Description:  
 Waterproof connector rating is IP67  
 They can not be used permanently under water

Connector Electrical Characteristics:  
 Rating voltage: 630V AC/DC  
 Insulation resistance: >100MΩ  
 Rating current: 12A  
 Contact resistance of connector: ≤10mΩ

Mechanical characteristics:  
 Mating/cycle: >100cycle  
 Operating temperature: -25°C ~ +85°C  
 Conductor size(REF): 0.32~1.5mm<sup>2</sup>  
 Cable OD: 6~8mm

\*ALL MATERIALS ARE RoHS COMPLIANT\*

⑥	N/A	PG9 PLASTIC WATERPROOF CABLE JOINT	1	SET
⑤	OR00047	O-RING GREEN FKM φ7.5*1.0MM	1	PCS
④	OR00012	O-RING GREEN FKM φ7.0*1.5MM	1	PCS
③	YDWK0273	M12 PLASTIC ASSEMBLY BODY SHELL	1	PCS
②	WK00262	M12 NICKEL PLATED BRASS FEMALE SHELL (M12*1.0)	1	PCS
①	N/A	M12 S CODING 4PIN(3+PE) FEMALE CONNECTOR	1	SET
ITEM	PART NO.	SPECIFICATION	Q'TY	UNIT



Shenzhen Signal Electronics Co., LTD

DRAWN BY	DATE
CHECKED BY	DATE
CHECKED BY	DATE
APPROVED BY	DATE

THE INFORMATION CONTAINED IN THIS DRAWING IS THE SOLE PROPERTY OF SIGNAL COMPANY. ANY REPRODUCTION IN PART OR WHOLE WITHOUT THE WRITTEN PERMISSION OF SIGNAL COMPANY IS PROHIBITED.

TITLE		M12 S CODING 4PIN(3+PE) FEMALE PLASTIC ASSEMBLY CONNECTOR	
SGN NO	120504-02-002	REV.	
DWG NO			
CUSTOMER			S4
TOLERANCES ARE:	DECIMALES	ANGLES	THIRD ANGLE PROJECTION
.x ±0.5	.x' ±2.0'	.x' ±1.0'	SIZE: A4
.xx ±0.20			UNITS: mm
			SCALE: SHEET: 1 OF 1