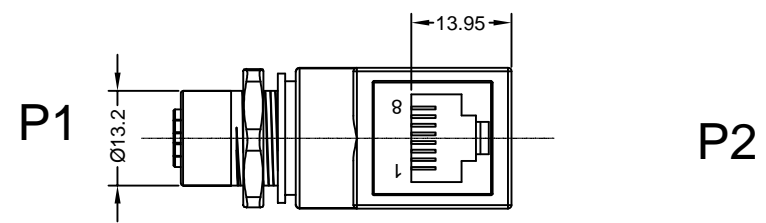
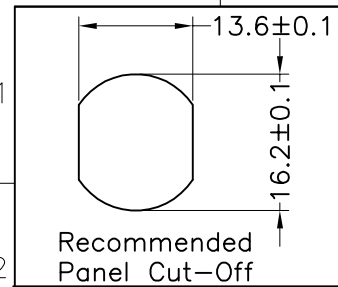


REV	DESCRIPTION	DATE	APPROVED
S0	CREATED DRAWING	2016/07/19	YMX
S1	CREATED DRAWING	2019/07/05	YMX

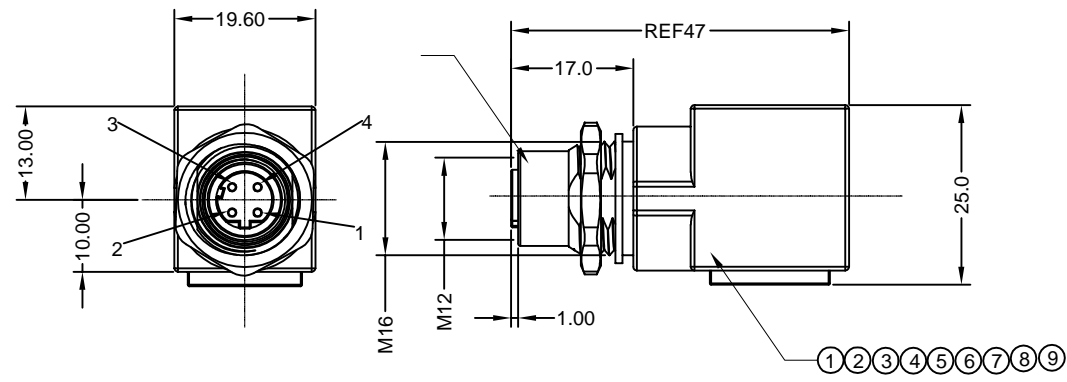


**Detailed Product Description:**  
 Waterproof connector rating is IP67/IP68  
 Protected from dust and water during immersion,  
 resistant to many oils and chemical etc

**Electrical character**  
 Rating voltage: 250V AC/DC ,  
 Insulation resistance: >100MΩ  
 Rating current : 4A  
 Contact resistance ≤10mΩ

**Other Specification**  
 Contact PIN: Phosphor Copper with Gold plating.  
 Coupling nut/screw: Brass with nickel plating  
 Insulation plastic: PA66+GF  
 Degree of protection: IP67/IP68

\*ALL MATERIALS ARE RoHS COMPLIANT.



**WIRE LIST**

P1	COLOR	P2
1	ORANGE/WHITE	1
3	BLUE/WHITE	2
2	ORANGE	3
4	BLUE	6
SHELL	BLACK	SHELL

ITEM	PART NO.	SPECIFICATION	Q'TY	UNIT
⑨	OR00008	O-Ring GREEN FKM $\phi$ 13.0* $\phi$ 2.0mm	1	PCS
⑧	PL00007	HD PE	3	g
⑦	PL00004	BLACK TPU 105°	10	g
⑥	OR00012	O-Ring FKM $\phi$ 7.0* $\phi$ 1.5mm	1	PCS
⑤	NU00008	M16 Brass plated ni NUT L*W=2.8*19mm	1	PCS
④	WK00194	M12 Female Brass plated ni front mount M16*1.5 L=21.0mm	1	PCS
③	N/A	M12 D Coding 4pin Female connector	1	SET
②	CN00222	RJ45 8P8C STRAIGHT ANGLE WITH SHEILD	1	PCS
①	N/A	24AWG HOOK UP WIRE	1	PCS

**SIGNAL**  
 Shenzhen Signal Electronics Co., LTD

DRAWN BY \_\_\_\_\_ DATE \_\_\_\_\_  
 CHECKED BY \_\_\_\_\_ DATE \_\_\_\_\_  
 APPROVED BY \_\_\_\_\_ DATE \_\_\_\_\_

THE INFORMATION CONTAINED IN THIS DRAWING IS THE SOLE PROPERTY OF SIGNAL COMPANY. ANY REPRODUCTION IN PART OR WHOLE WITHOUT THE WRITTEN PERMISSION OF SIGNAL COMPANY IS PROHIBITED.

TITLE M12 D CODING 4P/F TO RJ45/F 90° ADAPTER	
SGN NO 120404-10-003	REV. S1
DWG NO SPM12SD001	CUSTOMER
TOLERANCES ARE: DECIMALES .x ±0.50 .xx ±0.20	THIRD ANGLE PROJECTION SIZE: A4 UNITS: mm SCALE: SHEET: 1 OF 1