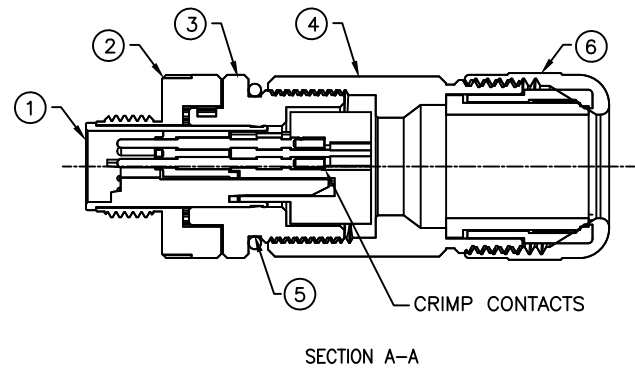
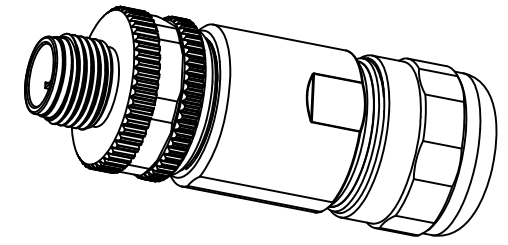
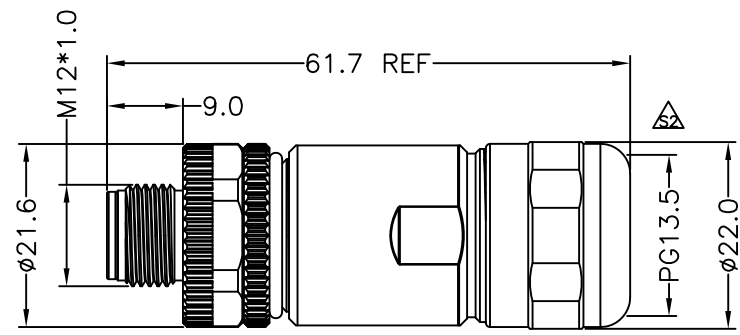
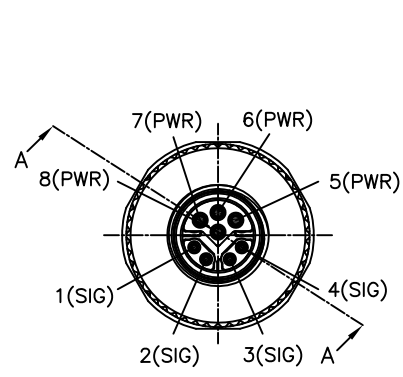


| REV | DESCRIPTION | DATE | APPROVED |
|-----|-----------------|------------|----------|
| S0 | CREATED DRAWING | 2019/12/24 | LXQ |
| S1 | UPDATE DRAWING | 2020/03/19 | LXQ |
| S2 | UPDATE DRAWING | 2020/04/08 | LXQ |




Detailed Product Description:
Waterproof connector rating is IP67
They can not be used permanently under water

Connector Electrical Characteristics:
Rating voltage: 60V AC/DC
Insulation resistance: >100MΩ
Rating current: 6A (POWER) / 0.5A (SIGNAL)
Contact resistance of connector: ≤10mΩ
Mechanical characteristics: mating/cycle: >100cycle
Operating temperature: -25°C ~ +85°C
Cable OD: 8~11mm
AWG: 20AWG (POWER) / 24AWG (SIGNAL)

ALL MATERIALS ARE RoHS COMPLIANT

| ⑥ | N/A | PG13.5 METAL WATERPROOF CABLE JOINT | 1 | SET |
|------|----------|--|------|------|
| ⑤ | OR00147 | O-RING GREEN FKM Ø15.0*1.5MM | 1 | PCS |
| ④ | N/A | M12 NICKEL PLATED BRASS BODY SHELL | 1 | PCS |
| ③ | N/A | M12 NICKEL PLATED BRASS SHELL | 1 | PCS |
| ② | N/A | M12 NICKEL PLATED BRASS MALE SHELL (M12*1.0) | 1 | PCS |
| ① | N/A | M12 Y CODING 8PIN(4+4) MALE CONNECTOR | 1 | SET |
| ITEM | PART NO. | SPECIFICATION | Q'TY | UNIT |



SIGNAL®

Shenzhen Signal Electronics Co., LTD

TITLE: M12 Y CODING 8PIN MALE METAL ASSEMBLY CONNECTOR (CRIMP)

SGN NO: 120808-01-001

DWG NO: _____

CUSTOMER: _____

REV: S2

| DRAWN BY | | DATE | |
|-------------|--|------|--|
| CHECKED BY | | DATE | |
| APPROVED BY | | DATE | |

| TOLERANCES ARE: | | THIRD ANGLE PROJECTION | |
|-----------------|-----------|------------------------|---------------|
| DECIMALES | ANGLES | SIZE: A4 | UNITS: mm |
| .x ±0.5 | x.° ±2.0' | SCALE: | SHEET: 1 OF 1 |
| .xx ±0.20 | .x' ±1.0' | | |

THE INFORMATION CONTAINED IN THIS DRAWING IS THE SOLE PROPERTY OF SIGNAL COMPANY. ANY REPRODUCTION IN PART OR WHOLE WITHOUT THE WRITTEN PERMISSION OF SIGNAL COMPANY IS PROHIBITED.