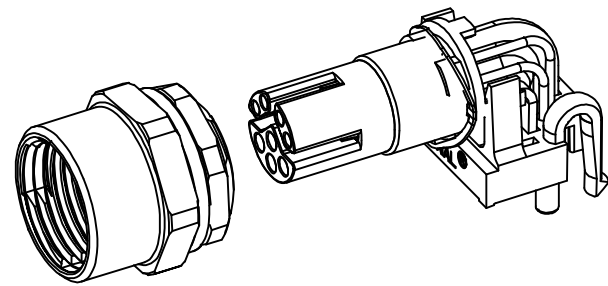
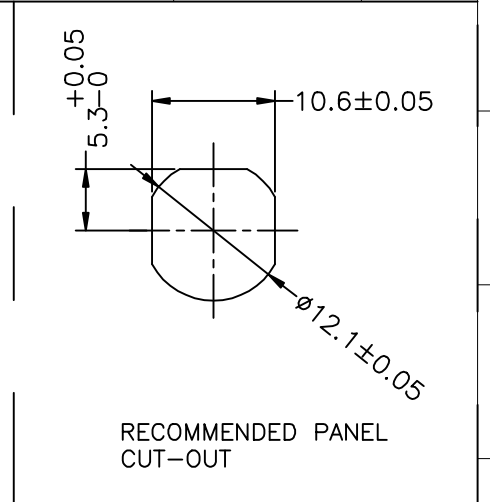
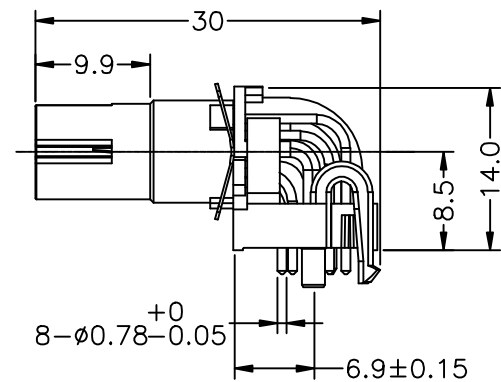
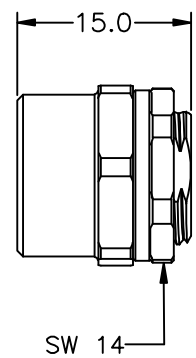
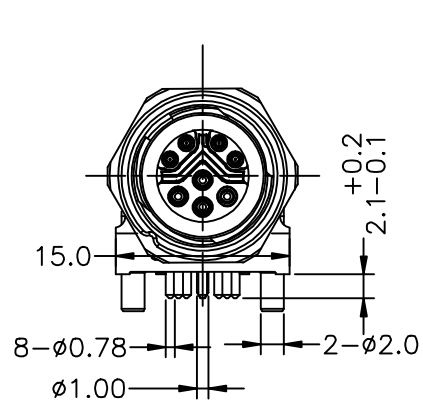


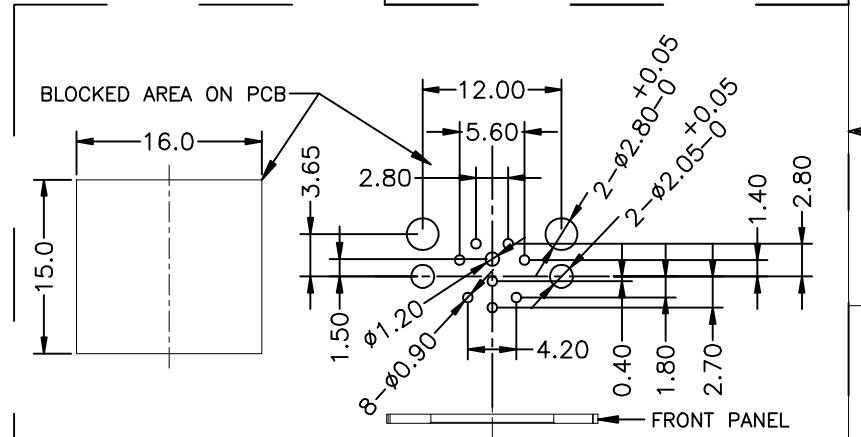
REV	DESCRIPTION	DATE	APPROVED
S0	CREATED DRAWING	2023/03/13	ZK



Explain:

- Electrical characteristics
  - Rated voltage: AC/DC 60V
  - Insulation resistance: >100MΩ
  - Rated current: Power: 6A
  - Data: 0.5A
  - Contact resistance of connector : ≤10mΩ
- Mechanical characteristics
  - Mating/cycle >100 cycles
- Environmental characteristics
  - Protection class: IP67 (after correct connection)
  - Operating temperature: -25°C to +85°C

\*ALL MATERIALS ARE RoHS COMPLIANT.



RECOMMENDED PCB LAYOUT



TITLE M12 Y CODING 8PIN FEMALE PCB CONNECTOR

Shenzhen Signal Electronics Co., LTD		SGN NO	120808-04-005	REV.
DRAWN BY	DATE	DWG NO	SGNYD2303051	S0
CHECKED BY	DATE	CUSTOMER		
CHECKED BY	DATE			
APPROVED BY	DATE			

TOLERANCES ARE:		THIRD ANGLE PROJECTION	
DECIMALES	ANGLES	SIZE: A4	UNITS: mm
.x ±0.5	x.' ±2.0'	SCALE:	SHEET: 1 OF 1
.xx ±0.20	.x' ±1.0'		

THE INFORMATION CONTAINED IN THIS DRAWING IS THE SOLE PROPERTY OF SIGNAL COMPANY. ANY REPRODUCTION IN PART OR WHOLE WITHOUT THE WRITTEN PERMISSION OF SIGNAL COMPANY IS PROHIBITED.

ITEM	PART NO.	SPECIFICATION	Q'TY	UNIT
②	YDCN0335	M12 PANEL SHELL PART	1	SET
①	N/A	M12 Y CODING 8PIN FEMALE PCB CONNECTOR	1	SET