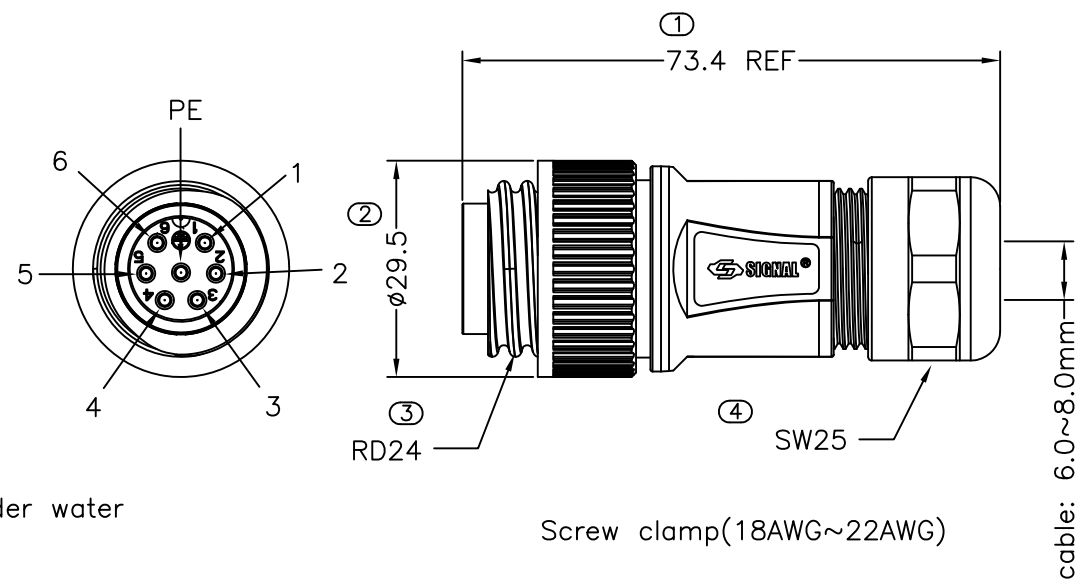


PROJECT NO:
SGNYD2204032

REV	DESCRIPTION	DATE	APPROVED
S0	CREATED DRAWING	2022/04/16	CYF



Detailed Product Description:
Waterproof connector rating is IP67
They can not be used permanently under water
Per ISO-20653,IEC60529

Electrical character
Rating voltage: 250 AC/DC
Insulation resistance: >100MΩ
Rating current: 8A
Contact resistance of connector ≤10mΩ
Mechanical characteristics: mating cycle >500cycles
Operating temperature: -25°C ~ +85°C

ALL MATERIALS ARE RoHS COMPLIANT

ITEM	PART NO.	SPECIFICATION	Q'TY	UNIT
④	N/A	O-RING BLACK	1	SET
③	N/A	TERMINAL MALE COPPER ALLOY GOLD PLATING 1u"	1	SET
②	N/A	RD24 6+PE MALE CONNECTOR	1	SET
①	N/A	PLASTIC ASSEMBLY BODY SHELL NYLON BLACK	1	SET

<p>ShenZhen Signal Electronics co., Ltd</p>		TITLE RD24 6+PE FEMALE ASSEMBLY CONNECOTR	
		SGN NO 240007-01-001	REV. S0
DRAWN BY		DATE	
CHECKED BY		DATE	
CHECKED BY		DATE	
APPROVED BY		DATE	
<small>THE INFORMATION CONTAINED IN THIS DRAWING IS THE SOLE PROPERTY OF SIGNAL COMPANY. ANY REPRODUCTION IN PART OR WHOLE WITHOUT THE WRITTEN PERMISSION OF SIGNAL COMPANY IS PROHIBITED.</small>			
TOLERANCES ARE:		THIRD ANGLE PROJECTION	
DECIMALES	ANGLES	SIZE: A4	UNITS: mm
.x ±0.5	x.' ±2.0'	SCALE: 1:1	SHEET: 1 OF 1
.xx ±0.20	.x' ±1.0'		