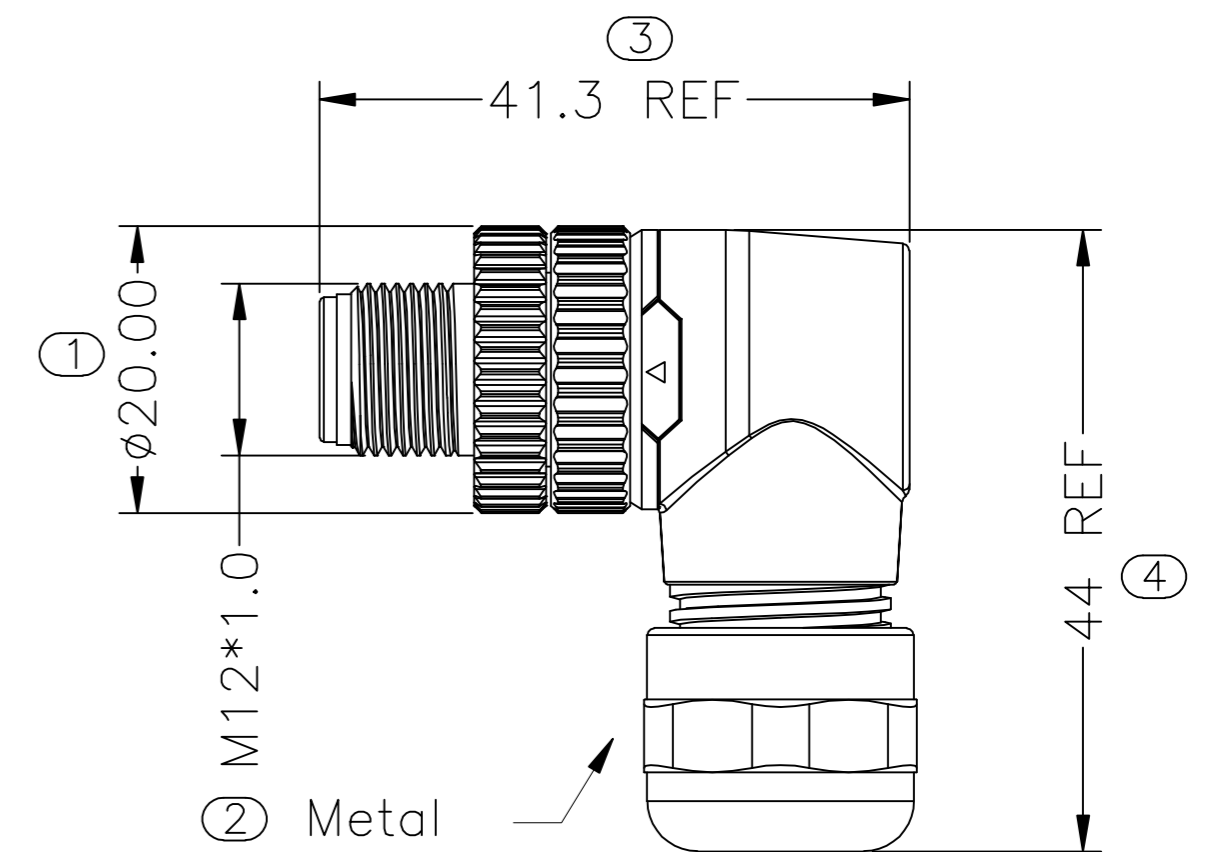
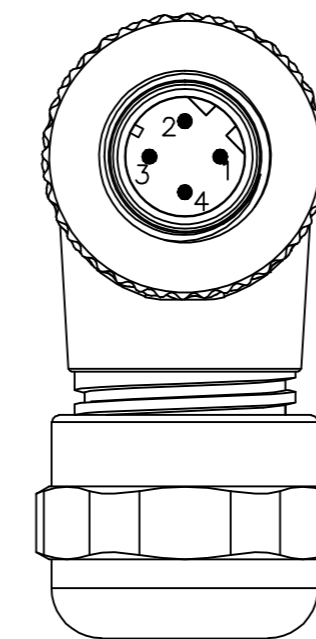


| REV | DESCRIPTION | DATE | APPROVED |
|-----|-----------------|------------|----------|
| S0 | CREATED DRAWING | 2019/11/05 | WANG |

Detailed Product Description:
 Waterproof connector rating is IP68
 They can not be used permanently under water.

Connector Electrical character
 Rating voltage: 250V ,
 Insulation resistance: >100MΩ
 Rating current : 4A
 Contact resistance of connector ≤5mΩ
 Mechanical characteristics: mating / cycle >100
 cycle
 Operating temperature: -25°C ~ +85°

*ALL MATERIALS ARE RoHS COMPLIANT.



Electrical character

| Part Number | Contacts | Rated voltage | | Rated current | Contact Resistance | Cable OD (mm) |
|--------------|----------|---------------|------|---------------|--------------------|---------------|
| | | A/C | D/C | | | |
| ASM12DM04015 | | 250V | 250V | 4A | 10mΩ | 6~8 |

| | | | | |
|-------------|--|------|--|----------------------------|
| DRAWN BY | | DATE | TITLE M12 D 4P/M assembly angel connector (Metal) | |
| CHECKED BY | | DATE | SGN NO 120404-01-028 | REV. |
| APPROVED BY | | DATE | DWG NO | S0 |
| | | | CUSTOMER | |
| | | | TOLERANCES ARE: | THIRD ANGLE PROJECTION |
| | | | DECIMALES .x ±0.5 .xx ±0.20 | ANGLES x.' ±2.0' .x' ±1.0' |
| | | | SIZE: A4 | UNITS: mm |
| | | | SCALE: | SHEET: 1 OF 1 |