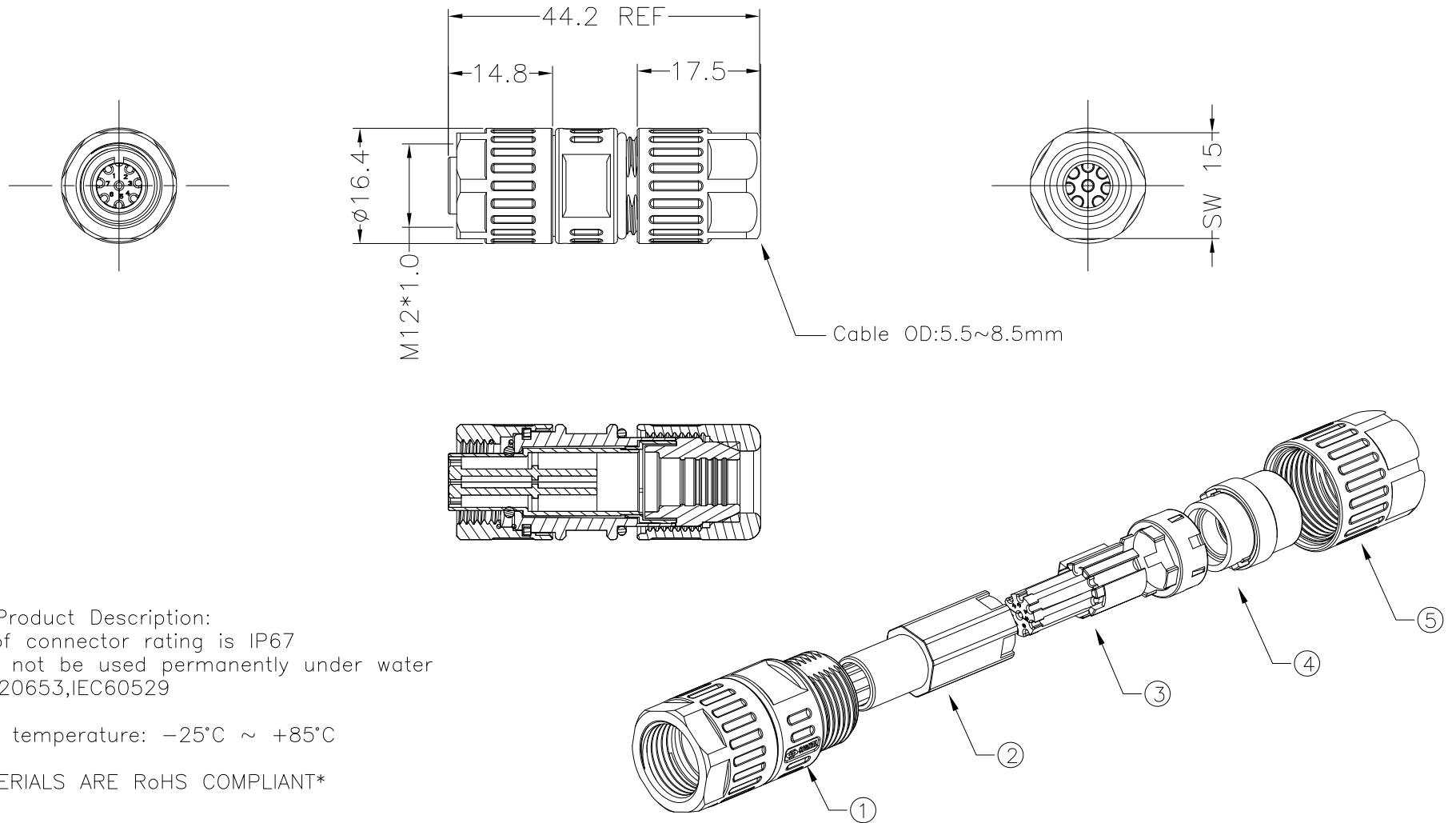


REV	DESCRIPTION	DATE	APPROVED
S0	CREATED DRAWING	2022/01/05	ZK




Detailed Product Description:
 Waterproof connector rating is IP67
 They can not be used permanently under water
 Per ISO-20653, IEC60529

Operating temperature: -25°C ~ +85°C

ALL MATERIALS ARE RoHS COMPLIANT

⑤	N/A	M14*1.0 TAIL NUT	1	SET
④	N/A	TAIL WATERPROOF PARTS	1	SET
③	N/A	M12 A 8P FEMALE HOUSING PARTS	1	SET
②	N/A	INSULATOR SHEATH	1	SET
①	N/A	M12*1.0 FEMALE SHELL PART	1	SET

ITEM	PART NO.	SPECIFICATION	Q'TY	UNIT
------	----------	---------------	------	------

 SIGNAL [®] Shenzhen Signal Electronics Co., LTD		TITLE		M12 A CODING 8P FEMALE ASSEMBLY CONNECTOR	
		SGN NO	120108-02-044		REV.
DRAWN BY	DATE	DWG NO			
CHECKED BY	DATE	CUSTOMER			
CHECKED BY	DATE				
APPROVED BY	DATE	TOLERANCES ARE:		THIRD ANGLE PROJECTION	
<small>THE INFORMATION CONTAINED IN THIS DRAWING IS THE SOLE PROPERTY OF SIGNAL COMPANY. ANY REPRODUCTION IN PART OR WHOLE WITHOUT THE WRITTEN PERMISSION OF SIGNAL COMPANY IS PROHIBITED.</small>		DECIMALES	.x ±0.5	ANGLES	x.' ±2.0'
			.xx ±0.20		x.' ±1.0'
		SIZE:	A4	UNITS:	mm
		SCALE:	SHEET: 1 OF 1		