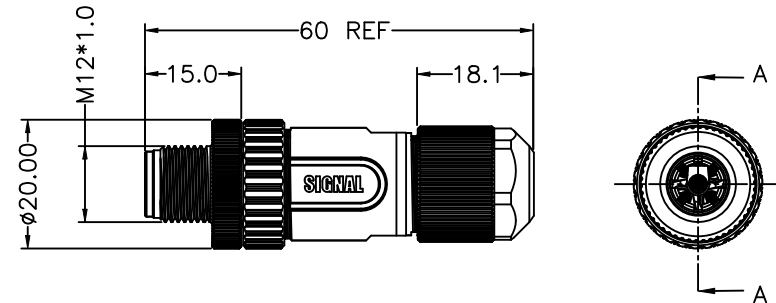
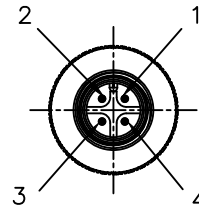


REV	DESCRIPTION	DATE	APPROVED
S0	CREATED DRAWING	2020/04/22	ZK

Detailed Product Description:
Waterproof connector rating is IP67
They can not be used permanently under water
Per ISO-20653,IEC60529

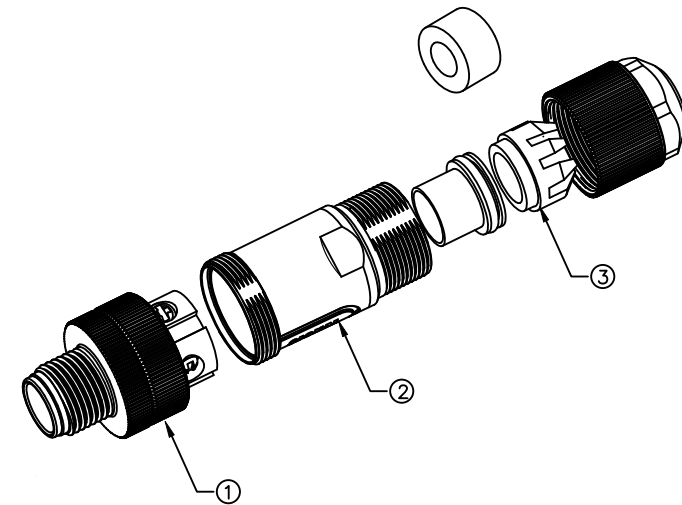
Mechanical characteristics: mating / cycle >100cycle
Operating temperature: -25°C ~ +85°C

ALL MATERIALS ARE RoHS COMPLIANT



Electrical character

Part Number	Contacts	Rated voltage		Rated current	Contact Resistance	Cable OD (mm)
		A/C	D/C			
120103-01-007S		250V	250V	4A	10mΩ	4~8
120104-01-007S		250V	250V	4A	10mΩ	4~8
120404-01-007S		250V	250V	4A	10mΩ	4~8
120205-01-003S		60V	60V	4A	10mΩ	4~8
120105-01-007S		60V	60V	4A	10mΩ	4~8
120108-01-007S		30V	30V	2A	10mΩ	4~8



SIGNAL [®] Shenzhen Signal Electronics Co., LTD		TITLE M12 MALE ASSEMBLY CONNECTOR	
		SGN NO 120103~08-01-007S	REV. S0
DRAWN BY	DATE	DWG NO	CUSTOMER
CHECKED BY	DATE		
CHECKED BY	DATE		
APPROVED BY	DATE		
<small>THE INFORMATION CONTAINED IN THIS DRAWING IS THE SOLE PROPERTY OF SIGNAL COMPANY. ANY REPRODUCTION IN PART OR WHOLE WITHOUT THE WRITTEN PERMISSION OF SIGNAL COMPANY IS PROHIBITED.</small>		TOLERANCES ARE: DECIMALES ANGLES .x ±0.5 x.° ±2.0' .xx ±0.20 .x' ±1.0'	THIRD ANGLE PROJECTION
ITEM	PART NO.	SPECIFICATION	Q'TY UNIT
③	N/A	M12 TAIL WATERPROOF PARTS	1 SET
②	N/A	M12 ASSEMBLY SHELL	1 SET
①	N/A	M12 MALE CONNECTOR	1 SET
SCALE:		A4	UNITS: mm
SHEET: 1 OF 1			