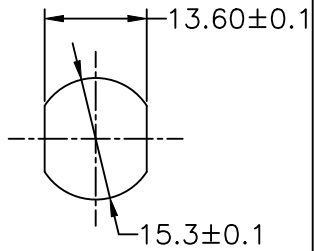
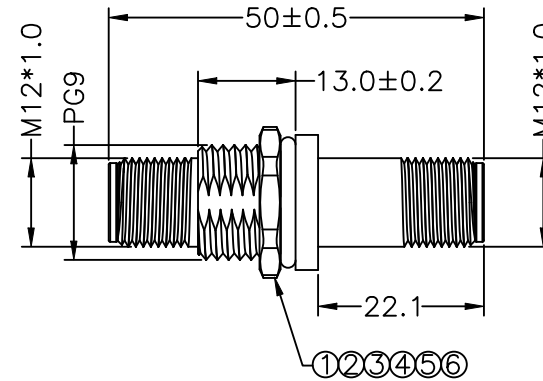
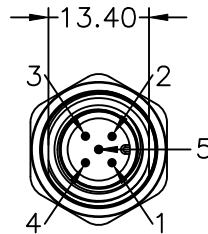


| REV | DESCRIPTION | DATE | APPROVED |
|-----|-----------------|------------|----------|
| S0 | CREATED DRAWING | 2019/07/19 | ZERA |

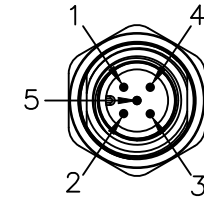


RECOMMEND
PANEL CUT-OUT

P1



P2



Electrical character

| | |
|--|---------------|
| Rated voltage | 60V |
| Rated current | 4A |
| Mechanical characteristics (mating cycle) | >100 |
| Degree of protection (ISO-20653,IEC60529) | IP67 |
| Operating temperature (depending on cable quality) | -25°C ~ +80°C |
| Destructive withstand force between connector and overmold exceeds | **kgf |
| Tightening torque (range) | 0.4~1.8Nm |
| Pollution degree | 3 |
| *ALL MATERIALS ARE RoHS COMPLIANT* | |

WIRE LIST

| | P1 | COLOR | P2 |
|---|----|-------|----|
| 1 | 1 | BROWN | 1 |
| 2 | 2 | WHITE | 2 |
| 3 | 3 | BLUE | 3 |
| 4 | 4 | BLACK | 4 |
| 5 | 5 | BLACK | 5 |

| | | | |
|---|------|---|----------------------------------|
| SIGNAL [®] Shenzhen Signal Electronics co.,Ltd | | TITLE M12 A CODING 5PIN MALE TO MALE CONNECTOR | |
| | | SGN NO 120105-10-002 | REV. S0 |
| DRAWN BY | DATE | DWG NO | |
| CHECKED BY | DATE | CUSTOMER | |
| CHECKED BY | DATE | TOLERANCES ARE: | |
| APPROVED BY | DATE | DECIMALES .x ±0.50 .xx ±0.20 | ANGLES x.' ±2.0' .x' ±1.0' |
| THE INFORMATION CONTAINED IN THIS DRAWING IS THE SOLE PROPERTY OF SIGNAL COMPANY. ANY REPRODUCTION IN PART OR WHOLE WITHOUT THE WRITTEN PERMISSION OF SIGNAL COMPANY IS PROHIBITED. | | THIRD ANGLE PROJECTION | |
| ITEM PART NO. SPECIFICATION Q'TY UNIT | | SIZE: A4 | UNITS: mm |
| | | SCALE: 1:1 | SHEET: 1 OF 1 |

| | | | | |
|------|----------|---|------|------|
| ⑥ | GL00002 | BLACK GLUE A/B (ETHOXYLINE RESIN) | 2 | g |
| ⑤ | OR00008 | O-Ring GREEN FKM ϕ 13.0* ϕ 2.0mm | 1 | PCS |
| ④ | NU00006 | PG9 BRASS WITH NI PLATED NUT, L*W=2.8*18mm | 1 | PCS |
| ③ | WK00105 | M12 BRASS WITH NI PLATED FRONT MOUNT PG9 MALE SHELL | 1 | PCS |
| ② | N/A | M12 A CODING 5PIN MALE CONNECTOR | 2 | SET |
| ① | N/A | 24AWG HOOK UP WIRE | 5 | PCS |
| ITEM | PART NO. | SPECIFICATION | Q'TY | UNIT |