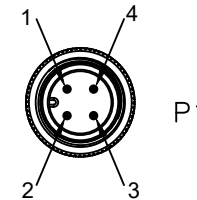
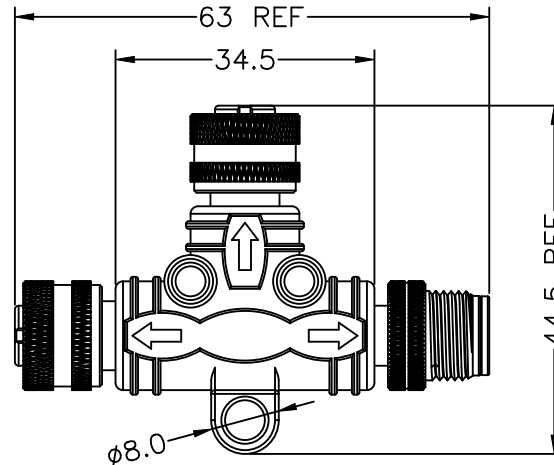
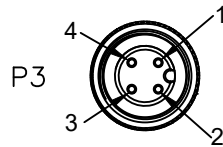
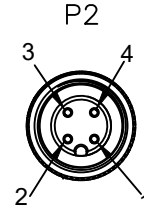
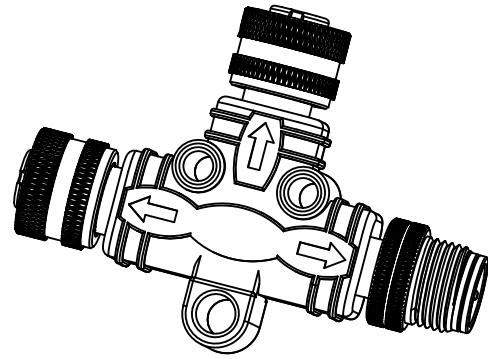
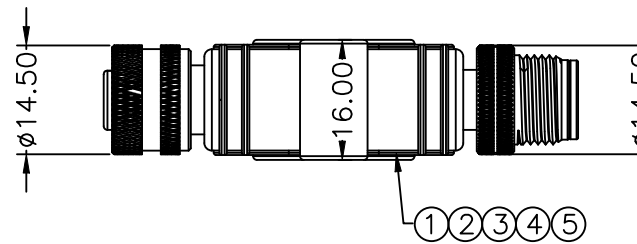


REV	DESCRIPTION	DATE	APPROVED
S0	CREATED DRAWING	2017/11/22	YMX



Electrical character

Rated voltage	250V
Rated current	4A
Mechanical characteristics (mating cycle)	>100
Degree of protection (ISO-20653, IEC60529)	IP67
Operating temperature (depending on cable quality)	-25°C ~ +80°C
Destructive withstand force between connector and overmold exceeds	**kgf
Tightening torque (range)	0.4~1.8Nm
Pollution degree	3
*ALL MATERIALS ARE RoHS COMPLIANT*	



WIRE LIST

P1	COLOR	P2	P3
1	BROWN	1	1
2	WHITE	2	2
3	BLUE	3	3
4	BLACK	4	4



Shenzhen Signal Electronics co.,Ltd

DRAWN BY	DATE
CHECKED BY	DATE
CHECKED BY	DATE
APPROVED BY	DATE

TITLE		M12 4P/M TO 4P/F*2 ADAPTER	
SGN NO	120104-10-005	REV.	
DWG NO			
CUSTOMER	12TP-A4FMF-SC		S0
TOLERANCES ARE:		THIRD ANGLE PROJECTION	
DECIMALES	ANGLES	SIZE: A4	UNITS: mm
.x ±0.50	x.' ±2.0'	SCALE: 1:1	SHEET: 1 OF 1
.xx ±0.20	.x' ±1.0'		

ITEM	PART NO.	SPECIFICATION	Q'TY	UNIT
⑤	PL00007	HD PE	6	g
④	PL00008	BLACK PVC 30P	35	g
③	PD000008	M12 A CODING 4PIN FEMALE CONNECTOR	2	SET
②	PD000004	M12 A CODING 4PIN MALE CONNECTOR	1	SET
①	N/A	22AWG HOOK UP WIRE BROWN,WHITE,BLUE,BLACK	1	PCS
ITEM	PART NO.	SPECIFICATION	Q'TY	UNIT

THE INFORMATION CONTAINED IN THIS DRAWING IS THE SOLE PROPERTY OF SIGNAL COMPANY. ANY REPRODUCTION IN PART OR WHOLE WITHOUT THE WRITTEN PERMISSION OF SIGNAL COMPANY IS PROHIBITED.