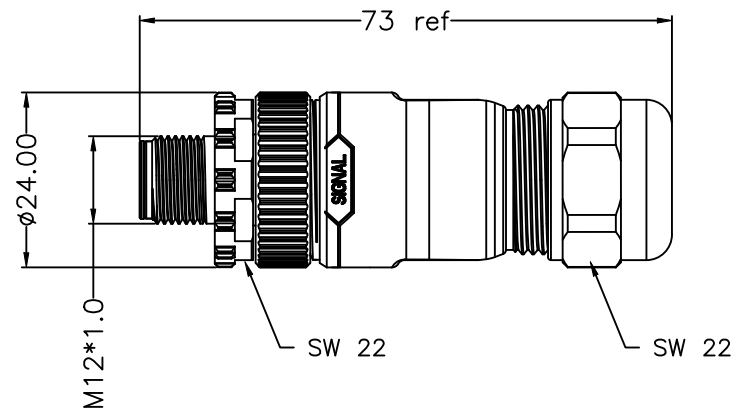
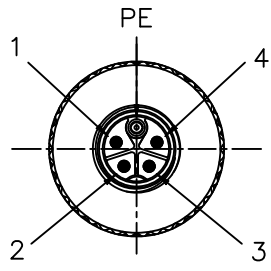


REV	DESCRIPTION	DATE	APPROVED
S0	CREATED DRAWING	2023/10/23	ZK



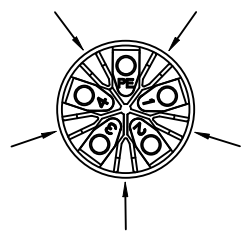
Detailed Product Description:
 Waterproof connector rating is IP67
 They can not be used permanently under water
 Per ISO-20653, IEC60529

Electrical character
 Rating voltage: 630V AC/DC
 Insulation resistance: >100MΩ
 Rating current: 12A
 Contact resistance: ≤10mΩ

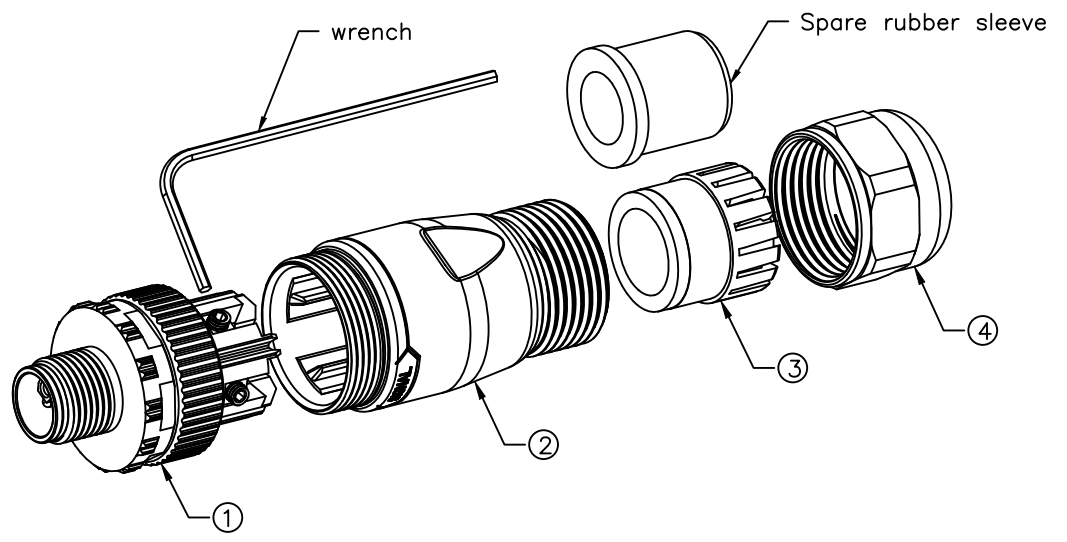
Other Specification
 Contact Pin: Brass with gold-plated
 Insulation plastic: PA66
 Shell: PA66
 Mechanical characteristics: mating / cycle >100cycle
 Operating temperature: -25°C ~ +85°C

Core wire Max: 2.5²mm
 Core wire peeling: 4~5mm
 Cable peeling: 30mm(ref)
 Cable OD Max: 12mm

*ALL MATERIALS ARE RoHS COMPLIANT.



5 assembly directions



SIGNAL [®] Shenzhen Signal Electronics Co., LTD		TITLE M12 K CODE MALE PLASTIC ASSEMBLY CONNECTOR	
		SGN NO 121305-01-003	REV. S0
DRAWN BY	DATE	DWG NO	CUSTOMER
CHECKED BY	DATE	TOLERANCES ARE:	
CHECKED BY	DATE	DECIMALES	ANGLES
APPROVED BY	DATE	.x ±0.5	x.' ±2.0'
<small>THE INFORMATION CONTAINED IN THIS DRAWING IS THE SOLE PROPERTY OF SIGNAL COMPANY. ANY REPRODUCTION IN PART OR WHOLE WITHOUT THE WRITTEN PERMISSION OF SIGNAL COMPANY IS PROHIBITED.</small>		.xx ±0.20	.x' ±1.0'
		THIRD ANGLE PROJECTION	SIZE: A4 UNITS: mm
		SCALE:	SHEET: 1 OF 1

ITEM	PART NO.	SPECIFICATION	Q'TY	UNIT
③	N/A	M12 TAIL WATERPROOF PARTS	1	SET
②	N/A	M12 ASSEMBLY SHELL	1	SET
①	N/A	M12 K MALE CONNECTOR	1	SET