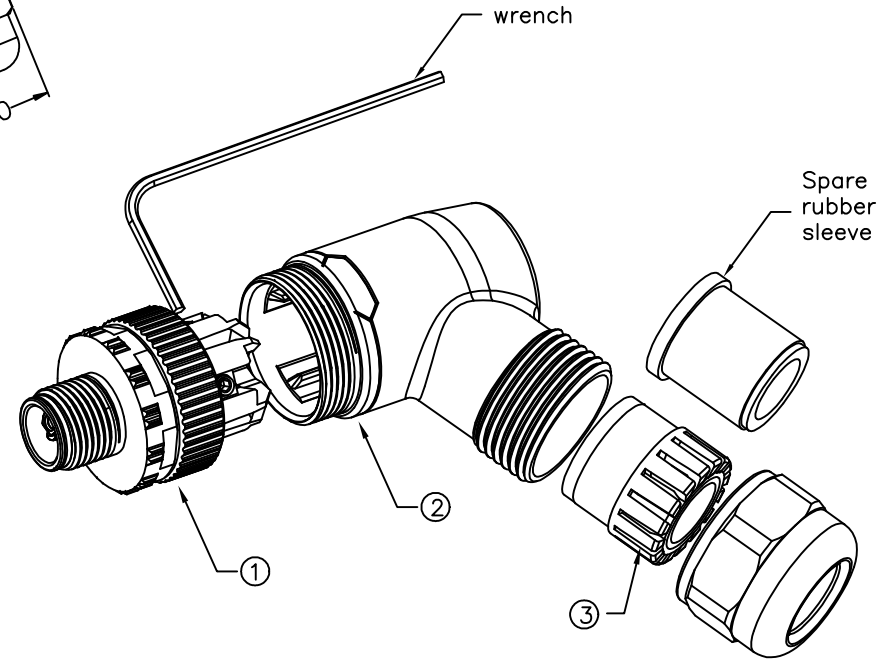
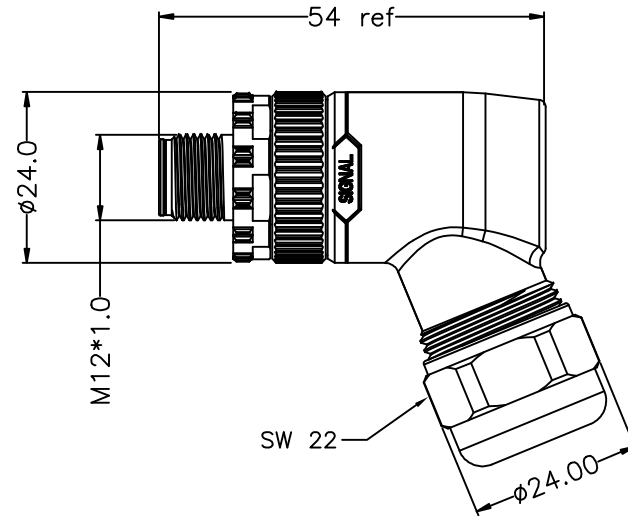
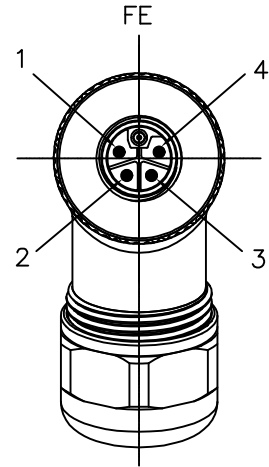


REV	DESCRIPTION	DATE	APPROVED
S0	CREATED DRAWING	2023/09/11	XD

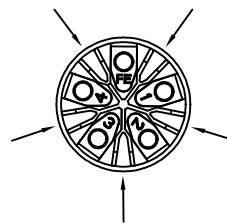


Detailed Product Description:  
 Waterproof connector rating is IP67  
 They can not be used permanently under water  
 Per ISO-20653,IEC60529

Electrical character  
 Rating voltage: 63V AC/DC  
 Insulation resistance: >100MΩ  
 Rating current: 16A  
 Contact resistance: ≤10mΩ

Other Specification  
 Contact Pin: Brass with gold-plated  
 Insulation plastic: PA66  
 Shell: PA66  
 Mechanical characteristics: mating / cycle >100cycle  
 Operating temperature: -25°C ~ +85°C

Core wire: 0.5~2.5<sup>2</sup>mm  
 Core wire peeling: 4~5mm  
 Cable peeling: 30mm(ref)  
 Cable OD: 8~12mm



5 assembly directions

\*ALL MATERIALS ARE RoHS COMPLIANT.

ITEM	PART NO.	SPECIFICATION	Q'TY	UNIT
③	N/A	M12 TAIL WATERPROOF PARTS	1	SET
②	N/A	M12 ASSEMBLY SHELL	1	SET
①	N/A	M12 L MALE CONNECTOR	1	SET

<b>SIGNAL</b> <sup>®</sup> Shenzhen Signal Electronics Co., LTD		TITLE M12 L CODE MALE PLASTIC ASSEMBLY CONNECTOR	
		SGN NO 121005-01-007	REV. SO
DRAWN BY	DATE	DWG NO	CUSTOMER
CHECKED BY	DATE	TOLERANCES ARE:	
CHECKED BY	DATE	DECIMALES .x ±0.5	ANGLES x.' ±2.0'
APPROVED BY	DATE	.xx ±0.20	.x' ±1.0'
THE INFORMATION CONTAINED IN THIS DRAWING IS THE SOLE PROPERTY OF SIGNAL COMPANY. ANY REPRODUCTION IN PART OR WHOLE WITHOUT THE WRITTEN PERMISSION OF SIGNAL COMPANY IS PROHIBITED.		THIRD ANGLE PROJECTION	
		SIZE: A4	UNITS: mm
		SCALE:	SHEET: 1 OF 1