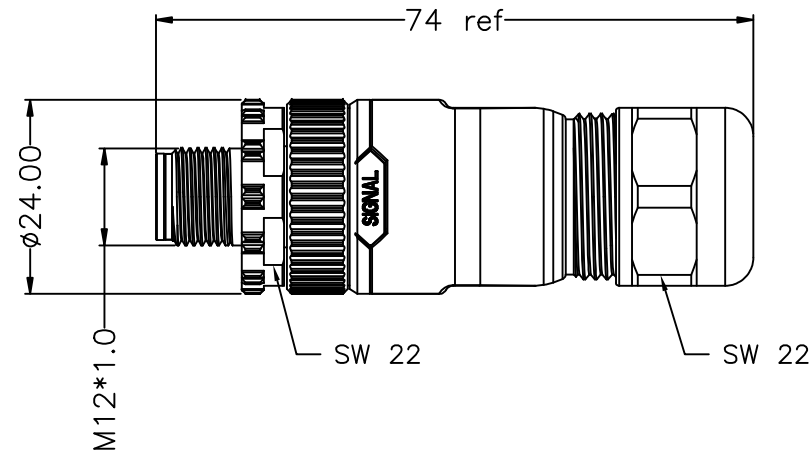
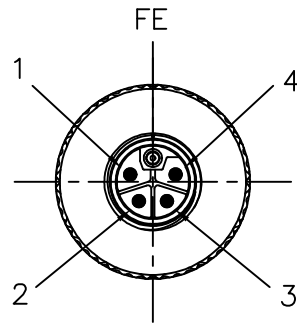
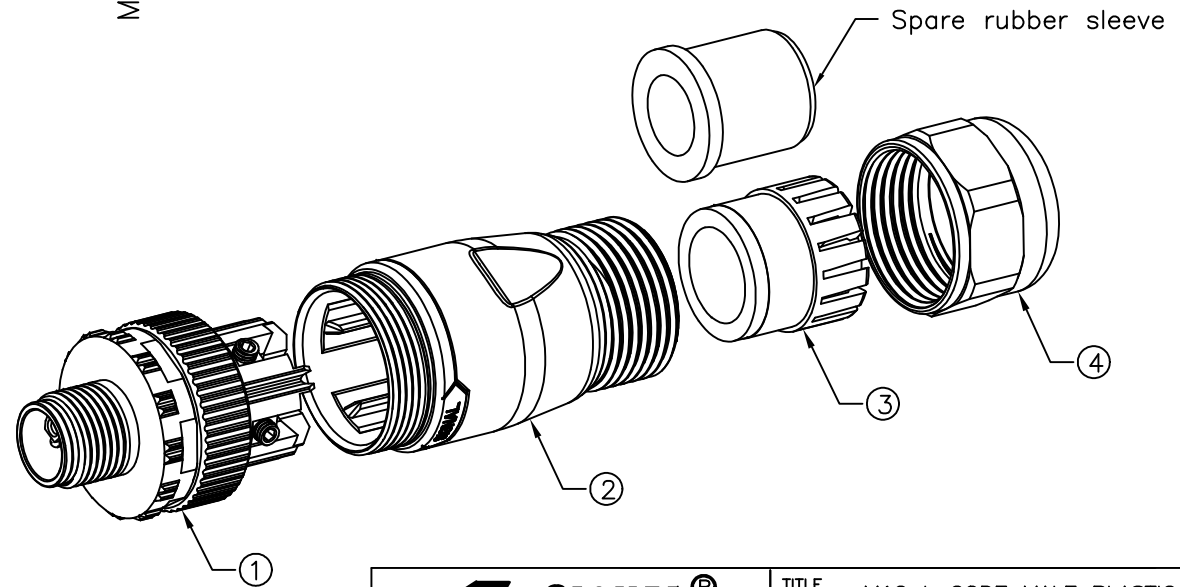


REV	DESCRIPTION	DATE	APPROVED
S0	CREATED DRAWING	2023/03/14	ZK



Electrical character

Rated voltage	63V
Rated current	16A
Mechanical characteristics (mating cycle)	>100
Degree of protection (ISO-20653, IEC60529)	IP67
Operating temperature (depending on cable quality)	-25°C ~ +85°C
Destructive withstand force between connector and overmold exceeds	**kgf
Tightening torque (range)	0.4~1.8Nm
Pollution degree	3
*ALL MATERIALS ARE RoHS COMPLIANT*	



④	N/A	M12 TAIL LOCK NUT	1	SET
③	N/A	M12 TAIL WATERPROOF PARTS	1	SET
②	N/A	M12 ASSEMBLY SHELL	1	SET
①	N/A	M12 L MALE CONNECTOR	1	SET
ITEM	PART NO.	SPECIFICATION	Q'TY	UNIT

<b>SIGNAL</b> <sup>®</sup> Shenzhen Signal Electronics Co., LTD		TITLE M12 L CODE MALE PLASTIC ASSEMBLY CONNECTOR	
		SGN NO 121005-01-005	REV.
DRAWN BY	DATE	DWG NO SGNYD2303037	SO
CHECKED BY	DATE	CUSTOMER	
CHECKED BY	DATE	TOLERANCES ARE:	
APPROVED BY	DATE	DECIMALES .x ±0.5	ANGLES x.' ±2.0°
<small>THE INFORMATION CONTAINED IN THIS DRAWING IS THE SOLE PROPERTY OF SIGNAL COMPANY. ANY REPRODUCTION IN PART OR WHOLE WITHOUT THE WRITTEN PERMISSION OF SIGNAL COMPANY IS PROHIBITED.</small>		THIRD ANGLE PROJECTION	UNITS: mm
		SCALE:	SHEET: 1 OF 1