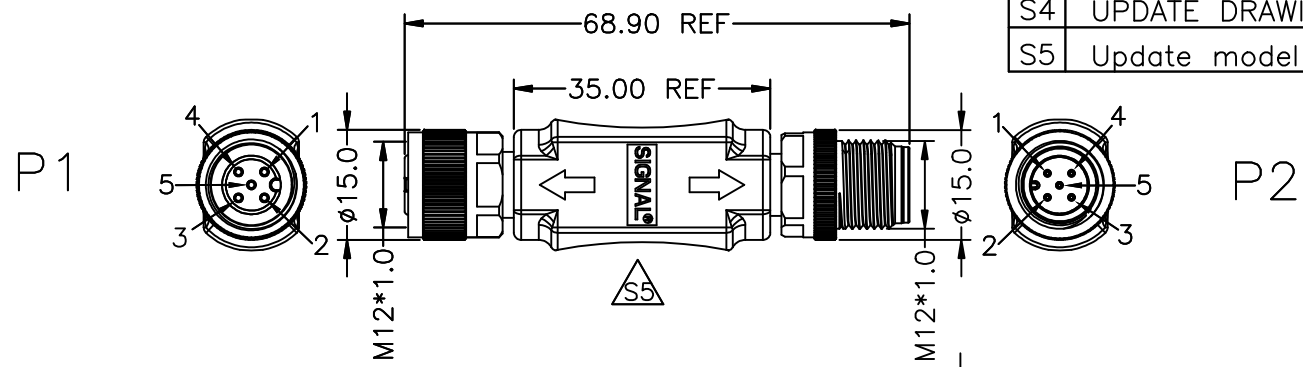


PROJECT NO:
SGNYD2106002

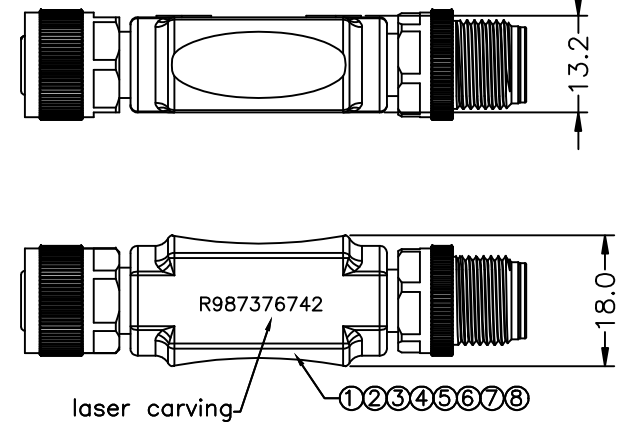
REV	DESCRIPTION	DATE	APPROVED
S0	UPDATE DRAWING	2021/06/01	Leo
S3	UPDATE DRAWING	2021/07/01	WANG
S4	UPDATE DRAWING	2021/11/10	WANG
S5	Update model	2021/11/18	WANG



Electrical character

Rated voltage	60V
Rated current	4A
Mechanical characteristics (mating cycle)	>100
Degree of protection (ISO-20653, IEC60529)	IP67
Operating temperature (depending on cable quality)	-25°C ~ +80°C
Destructive withstand force between connector and overmold exceeds	**kgf
Tightening torque (range)	0.4~1.8Nm
Pollution degree	3

ALL MATERIALS ARE RoHS COMPLIANT



WIRE LIST

P1		COLOR	P2
1		BORWN	1
2		N/C	2
3		BLUE	3
4		BLACK	4
5		N/C	5

ITEM	PART NO.	SPECIFICATION	Q'TY	UNIT
⑧	N/A	DIODE:ST MICROELECTRONICSP/N-SMBJ30A-TR	1	PCS
⑦	N/A	RESISTOR:1/4W 2K ohm±1%	1	PCS
⑥	GLO0031	STRUCTURAL GLUE H-D908 WHITE	2	g
⑤	PL00008	BLACK PVC 30P	15	g
④	PL00106	Amber transparent low pressure injection molding compound	6	g
③	N/A	M12 A CODING 5 PIN MALE CONNECTOR STAINLESS STEEL S316 (ANTI-VIBRATION)	1	SET
②	N/A	M12 A CODING 5 PIN FEMALE CONNECTOR STAINLESS STEEL S316 (ANTI-VIBRATION)	1	SET
①	N/A	UL1007 24AWG HOOK UP WIRE	1	SET

SIGNAL
Shenzhen Signal Electronics co.,Ltd

DRAWN BY	DATE
CHECKED BY	DATE
CHECKED BY	DATE
APPROVED BY	DATE

THE INFORMATION CONTAINED IN THIS DRAWING IS THE SOLE PROPERTY OF SIGNAL COMPANY. ANY REPRODUCTION IN PART OR WHOLE WITHOUT THE WRITTEN PERMISSION OF SIGNAL COMPANY IS PROHIBITED.

TITLE
M12*1.0 5PIN/M TO 5PIN/F ADAPTOR

SGN NO	120105-10-066	REV.	
DWG NO	SGNYD2106002		
CUSTOMER	R987376742		S5

TOLERANCES ARE:	ANGLES	THIRD ANGLE PROJECTION	SIZE: A4	UNITS: mm
.x ±0.50	x.' ±2.0'		SCALE: 1:1	SHEET: 1 OF 1
.xx ±0.20	.x' ±1.0'			