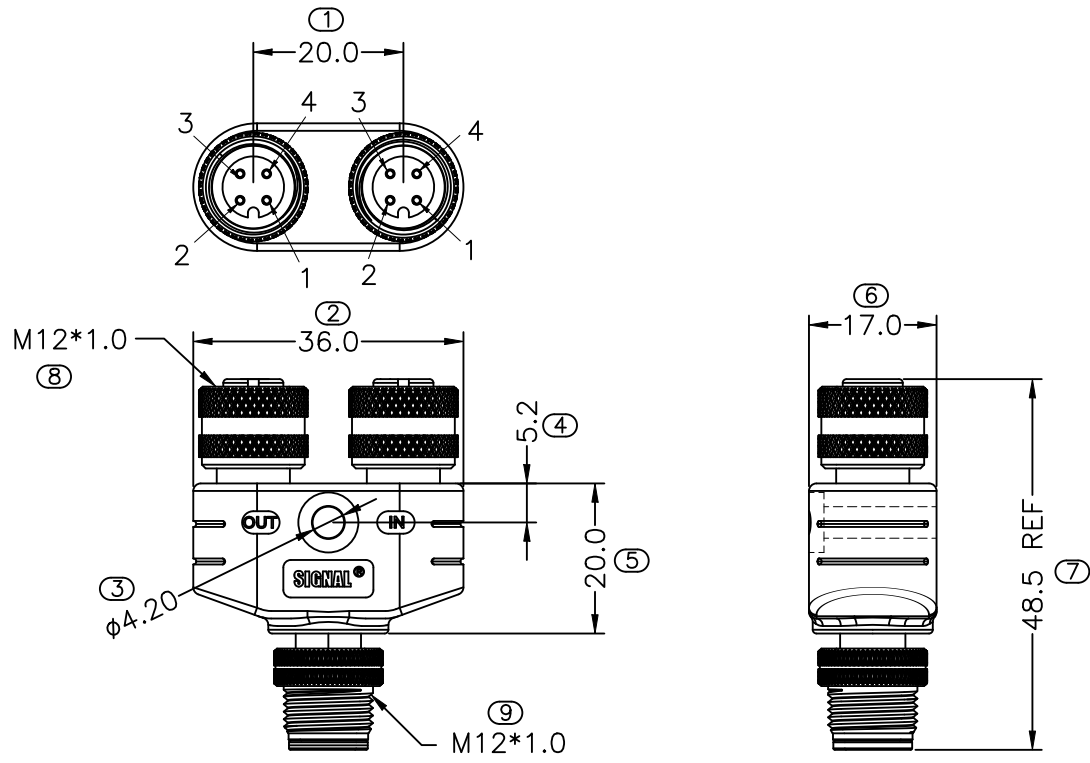


REV	DESCRIPTION	DATE	APPROVED
S0	CREATED DRAWING	2024/08/14	CBT



Electrical character

Rated voltage	250V
Rated current	4A
Mechanical characteristics (mating cycle)	>100
Degree of protection (ISO-20653,IEC60529)	IP67
Operating temperature (depending on cable quality)	-25°C ~ +80°C
Destructive withstand force between connector and overmold exceeds	**kgf
Tightening torque (range)	0.4~1.8Nm
Pollution degree	3
*ALL MATERIALS ARE RoHS COMPLIANT*	

WIRE LIST

P1	COLOR	P2	P3
1	BROWN	1	1
2	WHITE	2	2
3	BLUE	3	3
4	BLACK	4	4

**SIGNAL**<sup>®</sup>  
Shenzhen Signal Electronics co.,Ltd

TITLE: M12 Y ADAPTER CONNECTOR

SGN NO: 120104-10-045

REV. S0

DRAWN BY: DATE: CHECKED BY: DATE: APPROVED BY: DATE:

TOLERANCES ARE:  
DECIMALES: .x ±0.50, .xx ±0.20  
ANGLES: x.' ±2.0', .x' ±1.0'

THIRD ANGLE PROJECTION

SIZE: A4 UNITS: mm  
SCALE: 1:1 SHEET: 1 OF 1

THE INFORMATION CONTAINED IN THIS DRAWING IS THE SOLE PROPERTY OF SIGNAL COMPANY. ANY REPRODUCTION IN PART OR WHOLE WITHOUT THE WRITTEN PERMISSION OF SIGNAL COMPANY IS PROHIBITED.

ITEM	PART NO.	SPECIFICATION	Q'TY	UNIT
⑤	PL0011	BLACK PVC 45P	20	g
④	PL00106	LOW PRESSURE FORMING INNER MOLD COMPOUND	6	g
③	N/A	M12 A CODING 4PIN FEMALE CONNECTOR	2	SET
②	N/A	M12 A CODING 4PIN MALE CONNECTOR	1	SET
①	N/A	UL1061 22AWG HOOK UP WIRE	1	SET