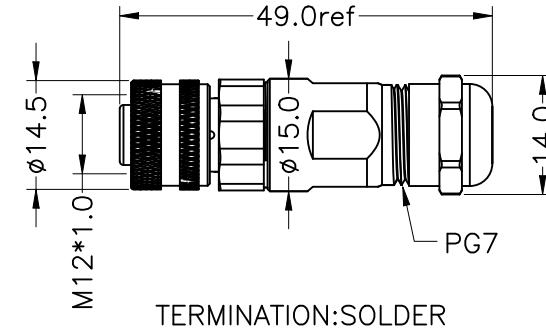


REV	DESCRIPTION	DATE	APPROVED
S0	CREATED DRAWING	2024/08/14	CBT

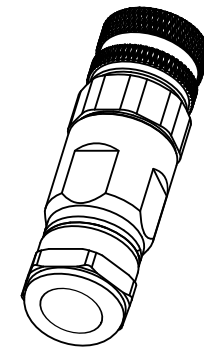
Electrical character

Rated voltage	250V	60V	30V
Rated current	4A	2A/1.5A	
Mechanical characteristics (mating cycle)	>100		
Degree of protection (ISO-20653,IEC60529)	IP67		
Operating temperature (depending on cable quality)	-25°C ~ +85°C		
Destructive withstand force between connector and overmold exceeds	**kgf		
Tightening torque (range)	0.4~1.8Nm		
Pollution degree	3		
ALL MATERIALS ARE RoHS COMPLIANT			



Electrical character

Part Number	Contacts	Rated voltage		Rated current	Contact Resistance	Cable OD (mm)
		A/C	D/C			
120103-02-005		250V	250V	4A	10mΩ	4~6
120104-02-005		250V	250V	4A	10mΩ	4~6
120105-02-005		60V	60V	4A	10mΩ	4~6
120108-02-005		30V	30V	2A	10mΩ	4~6
120112-02-001		30V	30V	1.5A	10mΩ	4~6



Shenzhen Signal Electronics co.,Ltd

TITLE
M12 FEMALE ASSEMBLY CONNECTOR WITH SHIELD PG7

DRAWN BY	DATE
CHECKED BY	DATE
CHECKED BY	DATE
APPROVED BY	DATE

SGN NO	120103~12-02-005	REV.
DWG NO		
CUSTOMER		S0

TOLERANCES ARE:		THIRD ANGLE PROJECTION	
DECIMALES	ANGLES	SIZE: A4	UNITS: mm
.x ±0.50	x.' ±2.0'	SCALE: 1:1	SHEET: 1 OF 1
.xx ±0.20	.x' ±1.0'		

THE INFORMATION CONTAINED IN THIS DRAWING IS THE SOLE PROPERTY OF SIGNAL COMPANY. ANY REPRODUCTION IN PART OR WHOLE WITHOUT THE WRITTEN PERMISSION OF SIGNAL COMPANY IS PROHIBITED.