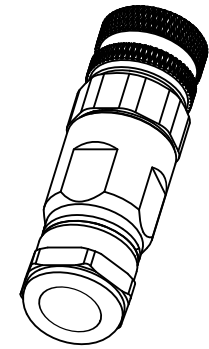
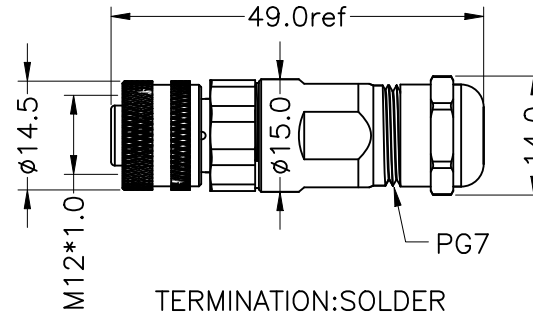


REV	DESCRIPTION	DATE	APPROVED
S0	CREATED DRAWING	2015/08/27	ZERA

Electrical character

Rated voltage	250V	60V
Rated current	4A	
Mechanical characteristics (mating cycle)	>100	
Degree of protection (ISO-20653, IEC60529)	IP67	
Operating temperature (depending on cable quality)	-25°C ~ +85°C	
Destructive withstand force between connector and overmold exceeds	**kgf	
Tightening torque (range)	0.4~1.8Nm	
Pollution degree	3	
*ALL MATERIALS ARE RoHS COMPLIANT*		



CUSTOMER NO	SGN NO	DWG NO
12SM-FA3-SL	120103-02-005	AS12AF03005
12SM-FA4-SL	120104-02-005	AS12AF04005
12SM-FA5-SL	120105-02-005	AS12AF05005

Electrical character

Part Number	Contacts	Rated voltage		Rated current	Contact Resistance	Cable OD (mm)
		A/C	D/C			
120103-02-005		250V	250V	4A	10mΩ	4~6
120104-02-005		250V	250V	4A	10mΩ	4~6
120105-02-005		60V	60V	4A	10mΩ	4~6

**SIGNAL**<sup>®</sup>

Shenzhen Signal Electronics co.,Ltd

DRAWN BY		DATE	TITLE M12 Female assembly connector with shield PG7	REV.
CHECKED BY		DATE		
CHECKED BY		DATE	DWG NO	SEE TABLE
APPROVED BY		DATE	CUSTOMER	SEE TABLE
THE INFORMATION CONTAINED IN THIS DRAWING IS THE SOLE PROPERTY OF SIGNAL COMPANY. ANY REPRODUCTION IN PART OR WHOLE WITHOUT THE WRITTEN PERMISSION OF SIGNAL COMPANY IS PROHIBITED.		TOLERANCES ARE: DECIMALES ANGLES		THIRD ANGLE PROJECTION
		.x ±0.50 x.' ±2.0°		SIZE: A4 UNITS: mm
		.xx ±0.20 .x' ±1.0°		SCALE: 1:1 SHEET: 1 OF 1