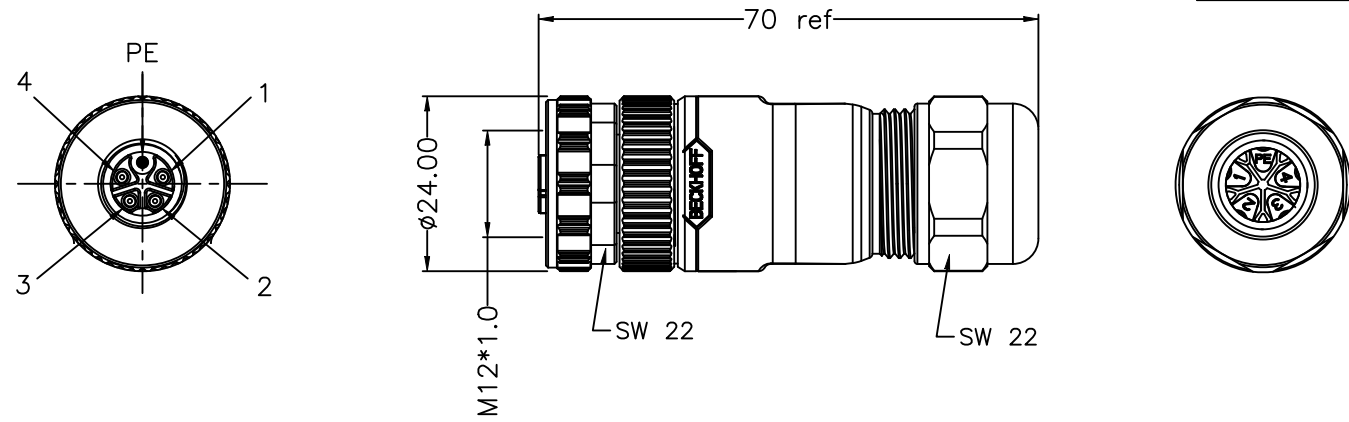


REV	DESCRIPTION	DATE	APPROVED
S0	CREATED DRAWING	2023/02/02	ZK



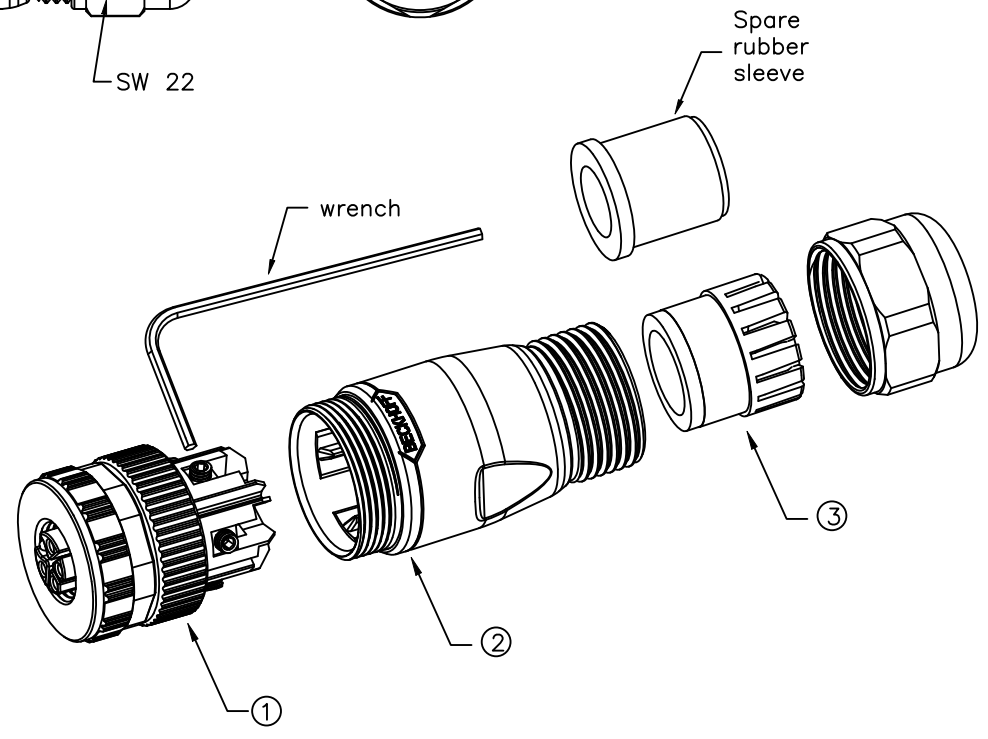
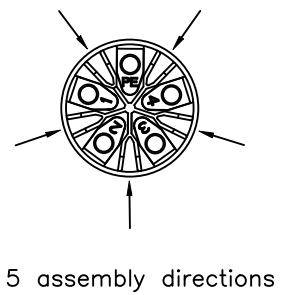
Detailed Product Description:
 Waterproof connector rating is IP67
 They can not be used permanently under water
 Per ISO-20653,IEC60529


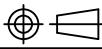
Electrical character
 Rating voltage: 630V AC/DC
 Insulation resistance: >100MΩ
 Rating current: 12A
 Contact resistance: ≤10mΩ

Other Specification
 Contact Pin: Brass with gold-plated
 Insulation plastic: PA66
 Shell: PA66
 Mechanical characteristics: mating / cycle >100cycle
 Operating temperature: -25°C ~ +85°C

Core wire Max: 2.5²mm
 Core wire peeling: 4~5mm
 Cable peeling: 30mm(ref)
 Cable OD Max: 12mm

*ALL MATERIALS ARE RoHS COMPLIANT.



 Shenzhen Signal Electronics Co., LTD		TITLE M12 K CODE FEMALE PLASTIC ASSEMBLY CONNECTOR	
		SGN NO 121305-02-003	REV. S0
DRAWN BY	DATE	DWG NO SGNYD2302018	CUSTOMER
CHECKED BY	DATE		
CHECKED BY	DATE		
APPROVED BY	DATE		
THE INFORMATION CONTAINED IN THIS DRAWING IS THE SOLE PROPERTY OF SIGNAL COMPANY. ANY REPRODUCTION IN PART OR WHOLE WITHOUT THE WRITTEN PERMISSION OF SIGNAL COMPANY IS PROHIBITED.		TOLERANCES ARE:	
		DECIMALES .x ±0.5 .xx ±0.20	ANGLES x.' ±2.0' .x' ±1.0'
		THIRD ANGLE PROJECTION	
		SIZE: A4	UNITS: mm
		SCALE:	SHEET: 1 OF 1

ITEM	PART NO.	SPECIFICATION	Q'TY	UNIT
③	N/A	M12 TAIL WATERPROOF PARTS	1	SET
②	N/A	M12 ASSEMBLY SHELL	1	SET
①	N/A	M12 K FEMALE CONNECTOR	1	SET