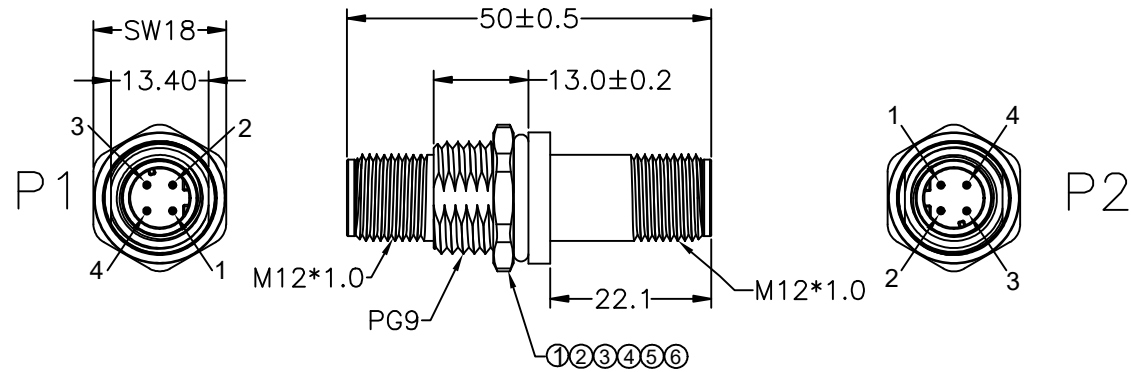
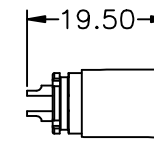


REV	DESCRIPTION	DATE	APPROVED
A0	CREATED DRAWING	2021/12/28	ZK
A1	UPDATED SHELL AND WIRE	2023/12/08	ZK



Electrical character

Rated voltage	250V AC/DC
Rated current	4A
Mechanical characteristics (mating cycle)	>100
Degree of protection (ISO-20653,IEC60529)	IP67
Operating temperature (depending on cable quality)	-25°C ~ +85°C
Destructive withstand force between connector and overmold exceeds	**kgf
Tightening torque (range)	0.4~0.8Nm
Pollution degree	3
*ALL MATERIALS ARE RoHS COMPLIANT*	



WIRE LIST

P1	COLOR	P2
1	BROWN	1
2	WHITE	2
3	BLUE	3
4	BLACK	4

ITEM	PART NO.	SPECIFICATION	Q'TY	UNIT
⑥	GL00002	BLACK EPOXY RESIN	2	g
⑤	OR00008	O-Ring black $\phi 13.0 \times \phi 2.0$ mm	1	PCS
④	NU00006	PG9 BRASS WITH NI PLATED NUT L*W=2.8*18mm	1	PCS
③	WK00105-3	M12 BRASS WITH NI PLATED FRONT MOUNT PG9 MALE TO MALE L=47.6MM $\triangle A1$	1	PCS
②	120404-20-019	M12 D CODING 4PIN MALE CONNECTOR	2	SET
①	N/A	UL1061 24AWG HOOK UP WIRE(SEE LIST)	1	SET

**SIGNAL**<sup>®</sup>  
Shenzhen Signal Electronics co.,Ltd

DRAWN BY	DATE
CHECKED BY	DATE
CHECKED BY	DATE
APPROVED BY	DATE

THE INFORMATION CONTAINED IN THIS DRAWING IS THE SOLE PROPERTY OF SIGNAL COMPANY. ANY REPRODUCTION IN PART OR WHOLE WITHOUT THE WRITTEN PERMISSION OF SIGNAL COMPANY IS PROHIBITED.

TITLE  
M12 D 4P/M TO 4P/M ADAPTER

SGN NO	120404-10-002	REV.	
DWG NO			
CUSTOMER	S58-D04-MMR001		A1

TOLERANCES ARE:		THIRD ANGLE PROJECTION	
DECIMALES	ANGLES	SIZE:	UNITS:
.x $\pm 0.5$	x.' $\pm 1.0^\circ$	A4	mm
.xx $\pm 0.2$	.x' $\pm 0.5^\circ$	SCALE: 1:1	SHEET: 1 OF 1