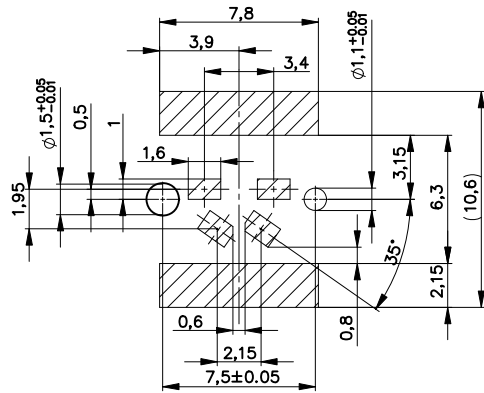
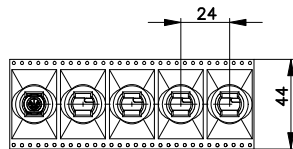
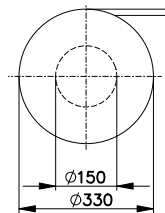


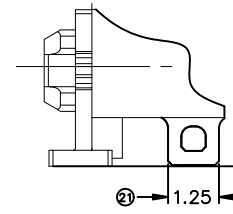
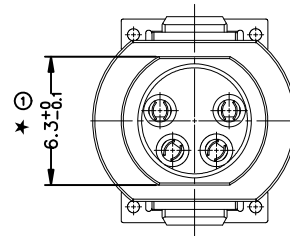
| REV | DESCRIPTION | DATE | APPROVED |
|-----|----------------|-----------|----------|
| S0 | UPDATE DRAWING | 2024/8/28 | ZCH |



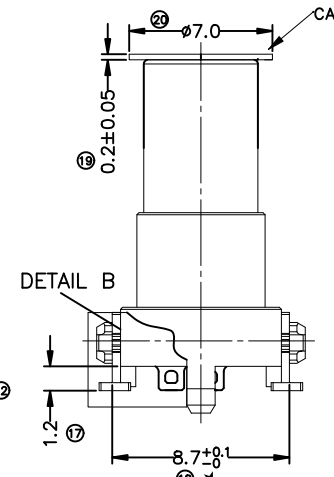
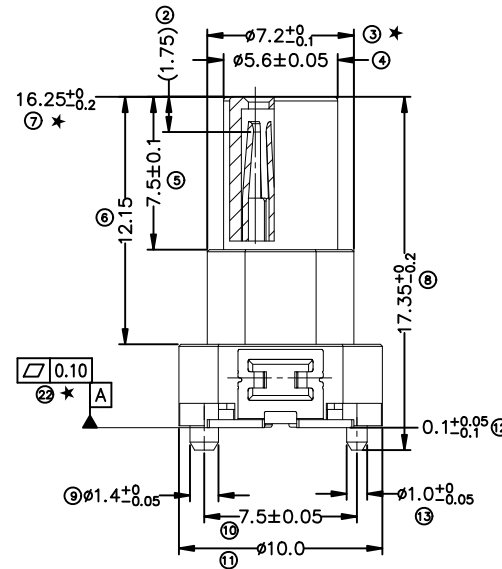
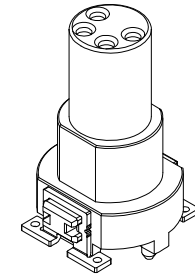
RECOMMENDED PCB LAYOUT



TAPE AND REEL WITH PAD/100 PCS



DETAIL B
SCALE 2:1



DETAIL B

Detailed Product Description

Connector electrical characteristics:

Rating voltage: 30V

Insulation resistance: >100MΩ

Rating current: 3A

Contact resistance of connector ≤5mΩ

Mechanical characteristics: mating / cycle >100 cycle

Termination: SMT

PINS: 4

CODING: A

Configuration: M8, female / stamped contacts

The highest temperature: 265°C

According to IEC 61076-2-104

Marked "★" for key inspection dimensions

*ALL MATERIALS ARE RoHS COMPLIANT.

| ITEM | PART NO. | SPECIFICATION | Q'TY | UNIT |
|------|----------|---------------|------|------|
|------|----------|---------------|------|------|

| | | | |
|---|--|-----------------|------------------------|
| | | TITLE | |
| | | M8 A/F 4PIN SMT | |
| Shen Zhen Signal Electronics co.,Ltd | | SGN NO | 080104-04-029 |
| DRAWN BY | | DATE | REV. |
| CHECKED BY | | DATE | DWG NO |
| APPROVED BY | | DATE | CUSTOMER |
| THE INFORMATION CONTAINED IN THIS DRAWING IS THE SOLE PROPERTY OF SIGNAL COMPANY. ANY REPRODUCTION IN PART OR WHOLE WITHOUT THE WRITTEN PERMISSION OF SIGNAL COMPANY IS PROHIBITED. | | TOLERANCES ARE: | THIRD ANGLE PROJECTION |
| | | DECIMALES | ANGLES |
| | | .x ±0.15 | x.' ±2.0' |
| | | .xx ±0.10 | .x' ±1.0' |
| | | SCALE: 1:1 | SIZE: A4 |
| | | | UNITS: mm |
| | | | SHEET: 1 OF 1 |