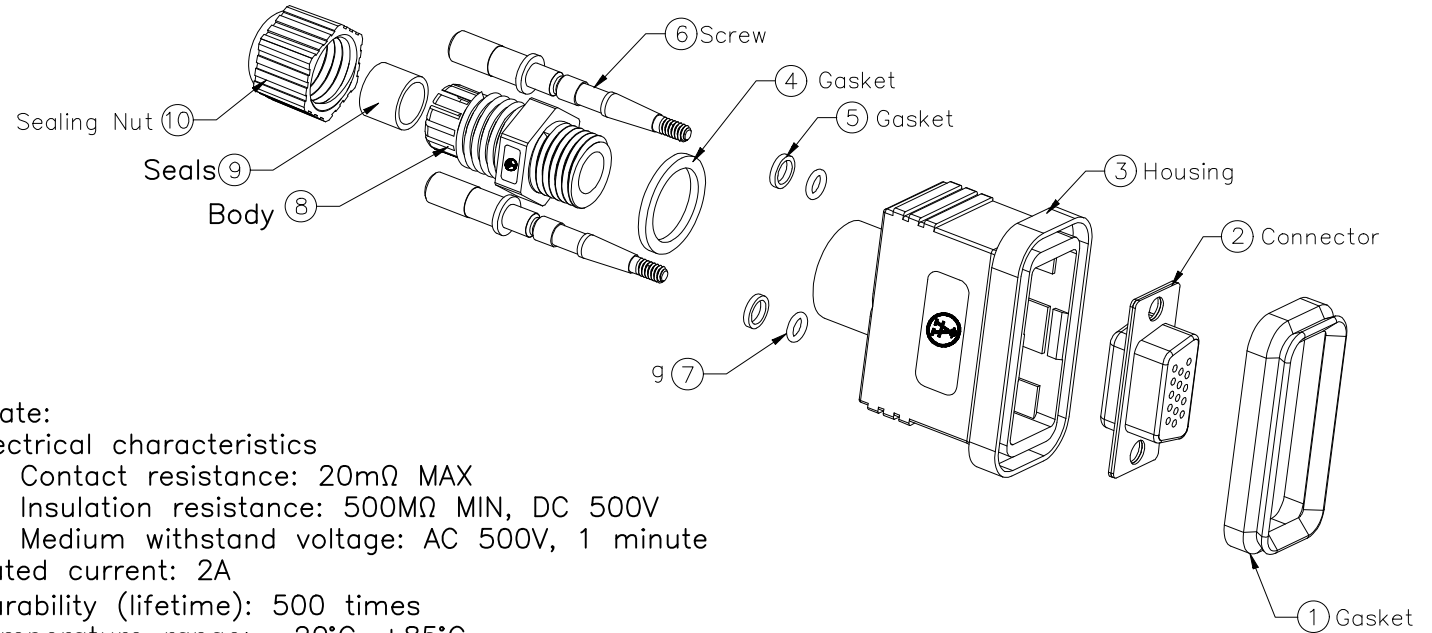
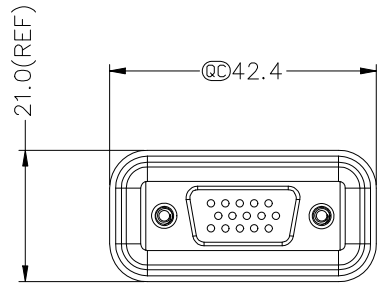
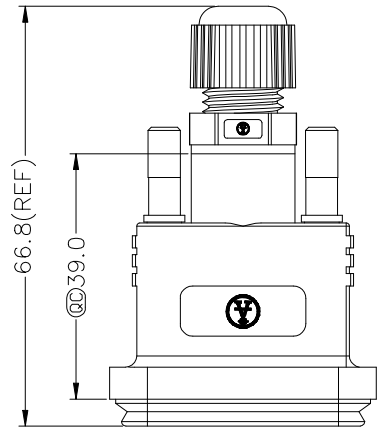
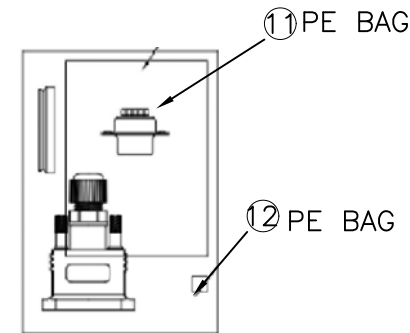


REV	DESCRIPTION	DATE	APPROVED
S0	CREATED DRAWING	2024/08/30	ZCH



Illustrate:

- Electrical characteristics
 Contact resistance: 20mΩ MAX
 Insulation resistance: 500MΩ MIN, DC 500V
 Medium withstand voltage: AC 500V, 1 minute
- Rated current: 2A
- Durability (lifetime): 500 times
- Temperature range: -20°C~+85°C
- All materials comply with RoHS standards.
- Protection level: connector IP67
- Applicable cable: ϕ 3.5mm- ϕ 7.0mm



⑫	N/A	B CODING PE-BAG	1	PCS
⑪	N/A	A CODING PE-BAG	1	PCS
⑩	N/A	A CODING SEALING NUT:NYLON,BLACK	1	PCS
⑨	N/A	SEALS FOR CABLE OD:φ3.5MM~φ7.0MM	1	PCS
⑧	N/A	A CODING BODY:NYLON,BLACK	1	PCS
⑦	N/A	O-RING:SILICONE,CLEAR	2	PCS
⑥	N/A	SCREW:BRASS,NICKEL PLATED	2	PCS
⑤	N/A	GASKET FOR SCREW	2	PCS
④	N/A	A CODING GASKET FOR BODY	1	PCS
③	N/A	A CODING HOUSING:ABS,BLACK	1	PCS
②	N/A	HD-SUB 15PIN FEMALE CONNECTOR	1	PCS
①	N/A	A CODING GASKET FOR HOUSING	1	PCS

ITEM	PART NO.	SPECIFICATION	Q'TY	UNIT
------	----------	---------------	------	------

 SIGNAL [®] Shenzhen Signal Electronics Co., LTD		TITLE HDB 15/F Plastic assembly	
		SGN NO 910215-02-011	REV. S0
DRAWN BY		DATE	
CHECKED BY		DATE	
APPROVED BY		DATE	
<small>THE INFORMATION CONTAINED IN THIS DRAWING IS THE SOLE PROPERTY OF SIGNAL COMPANY. ANY REPRODUCTION IN PART OR WHOLE WITHOUT THE WRITTEN PERMISSION OF SIGNAL COMPANY IS PROHIBITED.</small>		TOLERANCES ARE: DECIMALES .x ±0.5 ANGLES .x' ±2.0' .xx ±0.20 .x' ±1.0'	THIRD ANGLE PROJECTION
		SIZE: A4	UNITS: mm
		SCALE:	SHEET: 1 OF 1