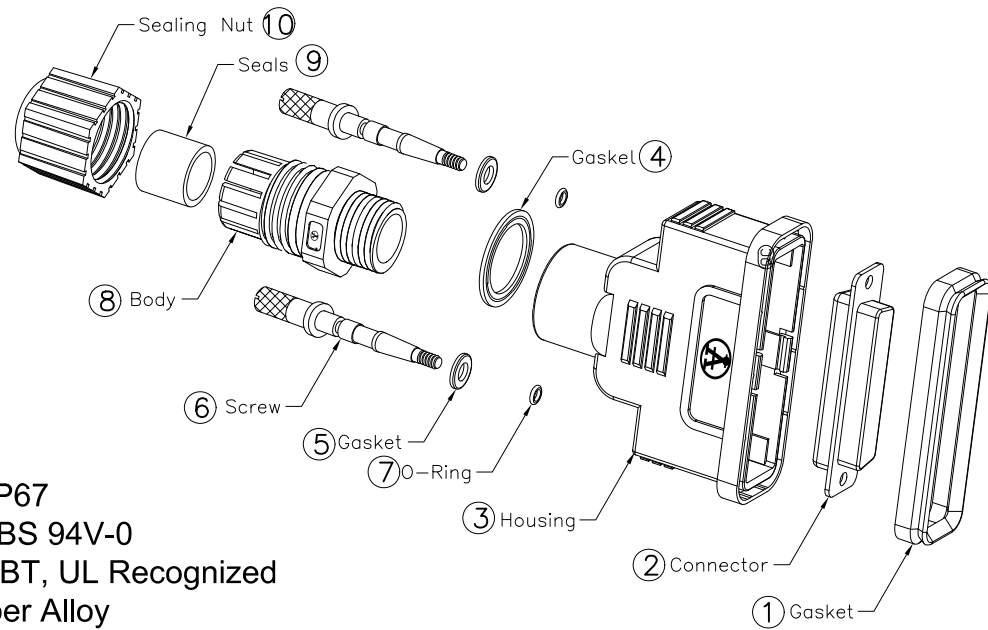
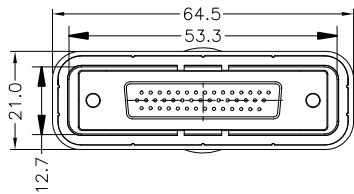
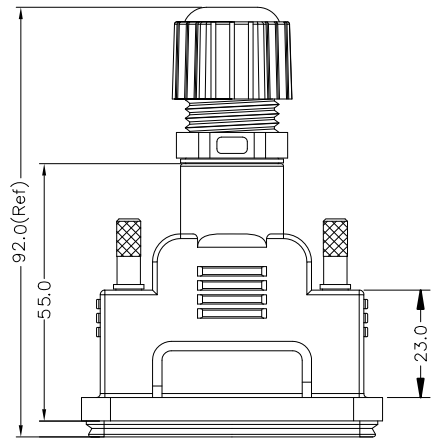
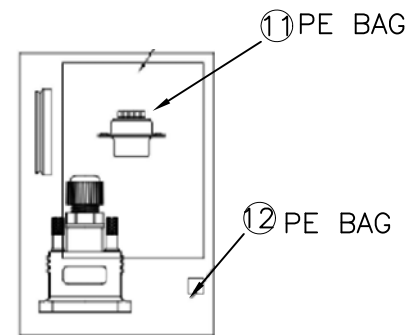


REV	DESCRIPTION	DATE	APPROVED
S0	CREATED DRAWING	2024/08/30	ZCH




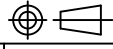
Material:

- Waterproof rate: IP67
- Housing: Black, ABS 94V-0
- Contact Carrier: PBT, UL Recognized
- Contact Pin: Copper Alloy
- Contact Surface: Gold plated
- Temperature range: -20°C to 60°C
- Connector: HD-SUB 44pin Female or Male Shielded (solder pin)
- Seals for cable: OD: $\phi 6.0\text{mm} \sim \phi 10.0\text{mm}$
- One set unassembled in one(1) PE bag



⑫	N/A	B CODING PE-BAG	1	PCS
⑪	N/A	A CODING PE-BAG	1	PCS
⑩	N/A	C CODING SEALING NUT:NYLON,BLACK	1	PCS
⑨	N/A	SEALS FOR CABLE OD: $\phi 6.0\text{MM} \sim \phi 10.0\text{MM}$.	1	PCS
⑧	N/A	C CODING BODY:NYLON,BLACK	1	PCS
⑦	N/A	O-RING:SILICONE,CLEAR	2	PCS
⑥	N/A	SCREW:BRASS,NICKEL PLATED	2	PCS
⑤	N/A	GASKET FOR SCREW	2	PCS
④	N/A	C CODING GASKET FOR BODY	1	PCS
③	N/A	C CODING HOUSING:ABS,BLACK	1	PCS
②	N/A	HD-SUB 44PIN FEMALE CONNECTOR	1	PCS
①	N/A	C CODING GASKET FOR HOUSING	1	PCS

ITEM	PART NO.	SPECIFICATION	Q'TY	UNIT
------	----------	---------------	------	------

 SIGNAL ® Shenzhen Signal Electronics Co., LTD		TITLE HDB 44/F Plastic Assembly type (OD:6.0-10.0)	
		SGN NO 910244-02-011	REV.
DRAWN BY		DATE	
CHECKED BY		DATE	
APPROVED BY		DATE	
<small>THE INFORMATION CONTAINED IN THIS DRAWING IS THE SOLE PROPERTY OF SIGNAL COMPANY. ANY REPRODUCTION IN PART OR WHOLE WITHOUT THE WRITTEN PERMISSION OF SIGNAL COMPANY IS PROHIBITED.</small>		TOLERANCES ARE: DECIMALES .x ±0.5 ANGLES .x' ±2.0' .xx ±0.20 .x' ±1.0'	THIRD ANGLE PROJECTION 
		SIZE: A4	UNITS: mm
		SCALE:	SHEET: 1 OF 1