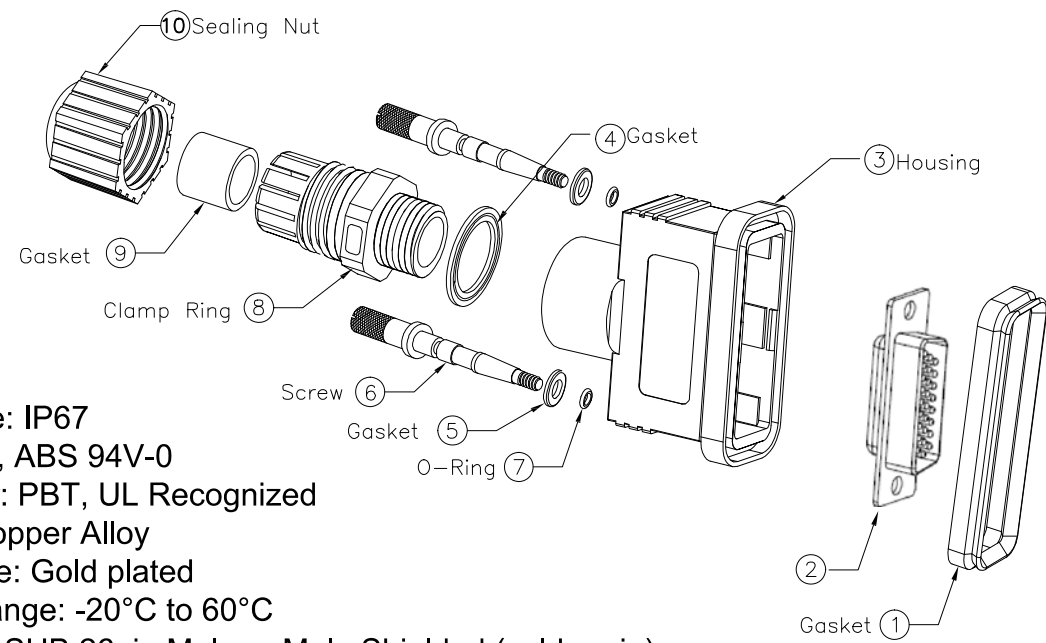
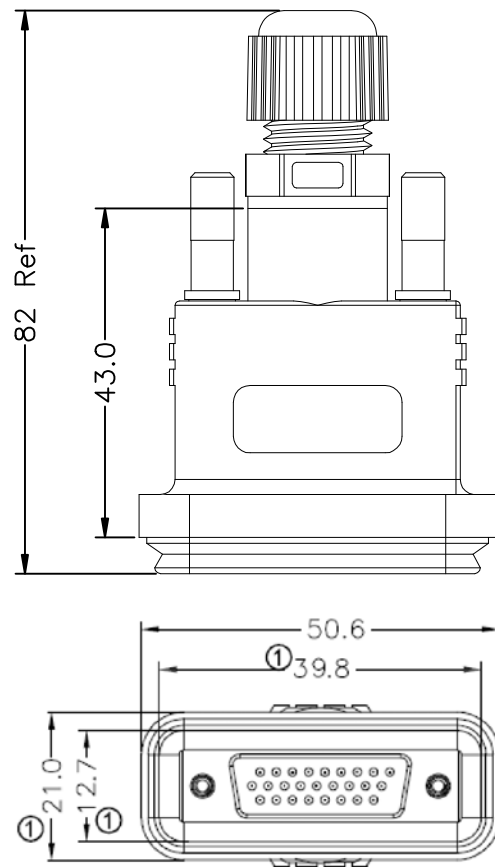
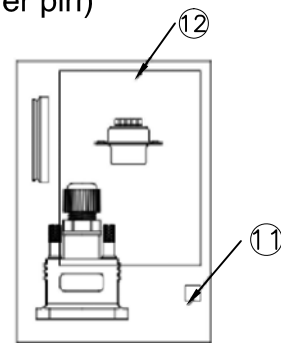


| REV | DESCRIPTION | DATE | APPROVED |
|-----|-----------------|------------|----------|
| S0 | CREATED DRAWING | 2024/09/03 | ZCH |




Material:

- Waterproof rate: IP67
- Housing: Black, ABS 94V-0
- Contact Carrier: PBT, UL Recognized
- Contact Pin: Copper Alloy
- Contact Surface: Gold plated
- Temperature range: -20°C to 60°C
- Connector: HD-SUB 26pin Male or Male Shielded (solder pin)
- Seals for cable: OD: $\phi 6.0\text{mm} \sim \phi 10.0\text{mm}$
- One set unassembled in one(1) PE bag



| | | | | |
|---|-----|---|---|-----|
| ⑫ | N/A | B CODING PE-BAG | 1 | PCS |
| ⑪ | N/A | A CODING PE-BAG | 1 | PCS |
| ⑩ | N/A | B CODING SEALING NUT:NYLON,BLACK | 1 | PCS |
| ⑨ | N/A | SEALS FOR CABLE OD: $\phi 6.0\text{MM} \sim \phi 10.0\text{MM}$. | 1 | PCS |
| ⑧ | N/A | B CODING BODY:NYLON,BLACK | 1 | PCS |
| ⑦ | N/A | O-RING:SILICONE,CLEAR | 2 | PCS |
| ⑥ | N/A | SCREW:BRASS,NICKEL PLATED | 2 | PCS |
| ⑤ | N/A | GASKET FOR SCREW | 2 | PCS |
| ④ | N/A | B CODING GASKET FOR BODY | 1 | PCS |
| ③ | N/A | B CODING HOUSING:ABS,BLACK | 1 | PCS |
| ② | N/A | HD-SUB 26PIN MALE CONNECTOR | 1 | PCS |
| ① | N/A | B CODING GASKET FOR HOUSING | 1 | PCS |

| ITEM | PART NO. | SPECIFICATION | Q'TY | UNIT |
|------|----------|---------------|------|------|
|------|----------|---------------|------|------|



SIGNAL®

Shenzhen Signal Electronics Co., LTD

TITLE HDB 26/M Plastic Assembly
type (OD:6.0-10.0)

SGN NO 910226-01-011

DWG NO

CUSTOMER

TOLERANCES ARE:
DECIMALES ANGLES

THIRD ANGLE PROJECTION

SIZE: A4 UNITS: mm

SCALE: SHEET: 1 OF 1

REV. S0

| | | |
|-------------|------|------|
| DRAWN BY | DATE | REV. |
| CHECKED BY | DATE | S0 |
| APPROVED BY | DATE | |

THE INFORMATION CONTAINED IN THIS DRAWING IS THE SOLE PROPERTY OF SIGNAL COMPANY. ANY REPRODUCTION IN PART OR WHOLE WITHOUT THE WRITTEN PERMISSION OF SIGNAL COMPANY IS PROHIBITED.