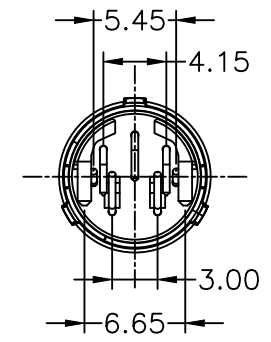
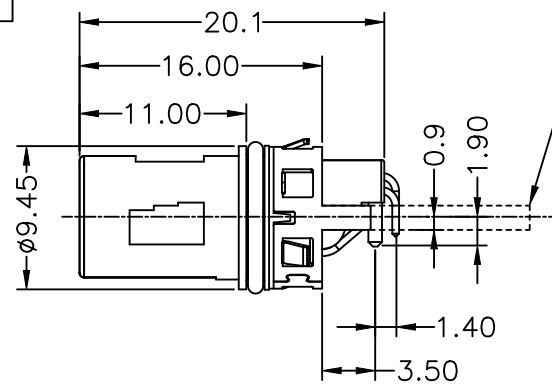
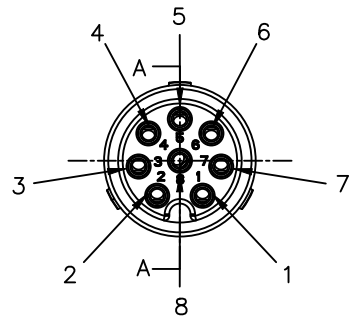
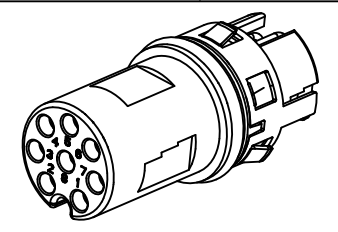
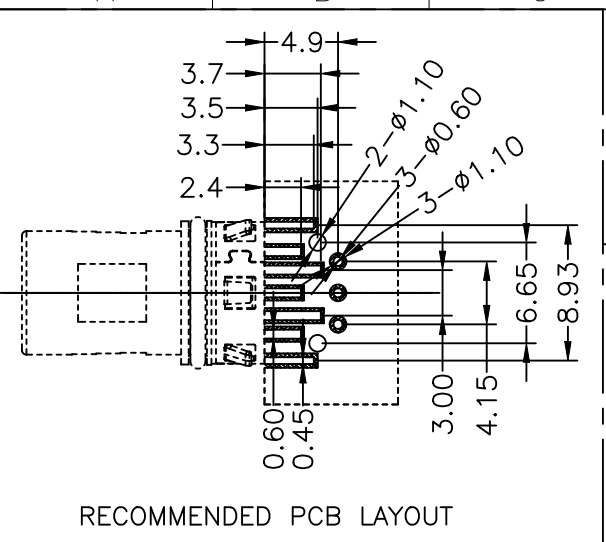


REV	DESCRIPTION	DATE	APPROVED
S0	CREATED DRAWING	2024/09/06	ZK

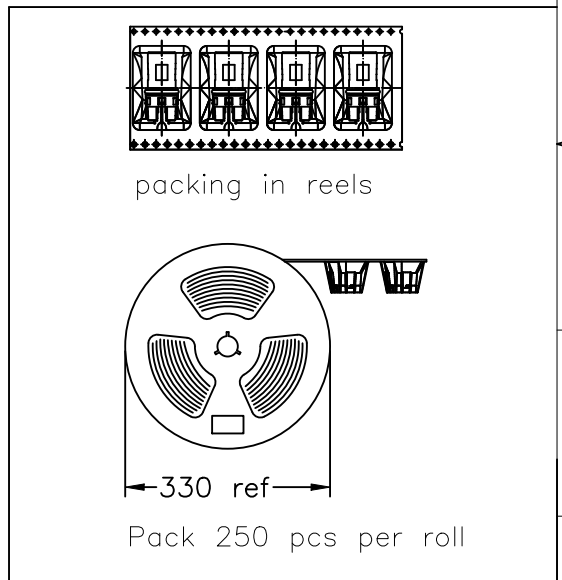
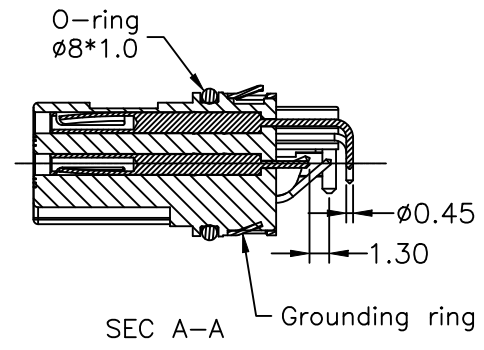


Detailed Product Description:
 Waterproof connector rating is IP67
 They can not be used permanently under water
 Per ISO-20653,IEC60529

Electrical character
 Rating voltage: 30V AC/DC
 Insulation resistance: >100MΩ
 Rating current: 2A
 Contact resistance ≤10mΩ

Other Specification
 Contact PIN: Copper alloy with Gold plating
 Insulation plastic: LCP(UL94V-0)
 Operating temperature: -40°C ~ +105°C

*ALL MATERIALS ARE RoHS COMPLIANT.



⑥	N/A	O-RING BLACK SILICONE ø8.0*1.0mm	1	PCS
⑤	N/A	PHOSPHOR BRONZE GROUNDING PIECE	1	PCS
④	N/A	M12 COPPER ALLOY PLATED GOLD FEMALE TERMINAL(C)	3	PCS
③	N/A	M12 COPPER ALLOY PLATED GOLD FEMALE TERMINAL(B)	2	PCS
②	N/A	M12 COPPER ALLOY PLATED GOLD FEMALE TERMINAL(A)	3	PCS
①	N/A	M12 A CODING 8PIN FEMALE HOUSING	1	PCS
ITEM	PART NO.	SPECIFICATION	Q'TY	UNIT

SIGNAL[®]

ShenZhen Signal Electronics co.,Ltd

DRAWN BY		DATE	TITLE M12 A 8P/F ANGLE DIP CONNECTOR(WITH SHIELD) SGN NO 120108-04-181S DWG NO CUSTOMER REV. S0
CHECKED BY		DATE	
CHECKED BY		DATE	
APPROVED BY		DATE	
TOLERANCES ARE:		THIRD ANGLE PROJECTION	
DECIMALES	ANGLES	SIZE: A4	
.x ±0.5	x' ±2.0'	SCALE:	SHEET: 1 OF 1
.xx ±0.2	.x' ±1.0'		

THE INFORMATION CONTAINED IN THIS DRAWING IS THE SOLE PROPERTY OF SIGNAL COMPANY. ANY REPRODUCTION IN PART OR WHOLE WITHOUT THE WRITTEN PERMISSION OF SIGNAL COMPANY IS PROHIBITED.