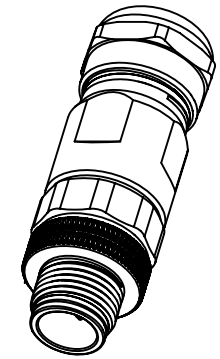


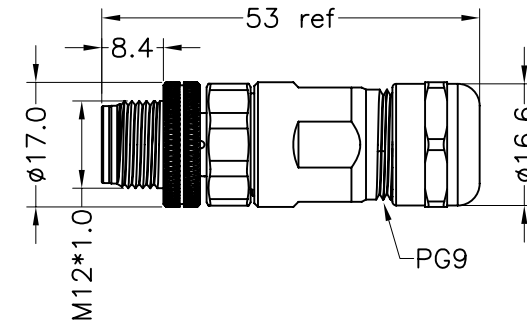
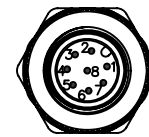
REV	DESCRIPTION	DATE	APPROVED
S0	CREATED DRAWING	2019/07/26	YMX



Detailed Product Description:
 Waterproof connector rating is IP67
 They can not be used permanently under water.

Connector Electrical character
 Rating voltage: IEC ,
 Insulation resistance: >100MΩ
 Rating current : IEC
 Contact resistance of connector ≤10mΩ
 Mechanical characteristics: mating / cycle >100 cycle
 Operating temperature: -25°C ~ +85°C

*ALL MATERIALS ARE RoHS COMPLIANT.



TERMINATION:SOLDER

Electrical character

Part Number	Contacts	Rated voltage		Rated current	Contact Resistance	Cable OD (mm)
		A/C	D/C			
120103-01-006		250V	250V	4A	10mΩ	6~8
120104-01-006		250V	250V	4A	10mΩ	6~8
120105-01-006		60V	60V	4A	10mΩ	6~8
120108-01-006		30V	30V	2A	10mΩ	6~8

SIGNAL[®]
 Shen Zhen Signal Electronics co.,Ltd

DRAWN BY		DATE	TITLE
CHECKED BY		DATE	M12 Male assembly connector with shield PG9
APPROVED BY		DATE	SGN NO 12010X-01-006
			DWG NO AS12AM03~08006
			CUSTOMER
			REV. S0
THE INFORMATION CONTAINED IN THIS DRAWING IS THE SOLE PROPERTY OF SIGNAL COMPANY. ANY REPRODUCTION IN PART OR WHOLE WITHOUT THE WRITTEN PERMISSION OF SIGNAL COMPANY IS PROHIBITED.		TOLERANCES ARE: DECIMALES .x ±0.5 .xx ±0.20	THIRD ANGLE PROJECTION
		ANGLES x.' ±2.0' .x' ±1.0'	SIZE: A4 UNITS: mm
			SCALE: SHEET: 1 OF 1