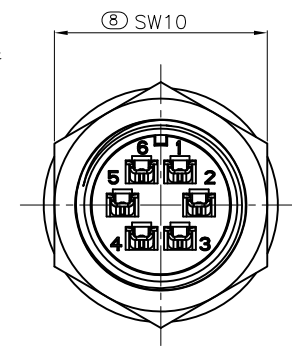
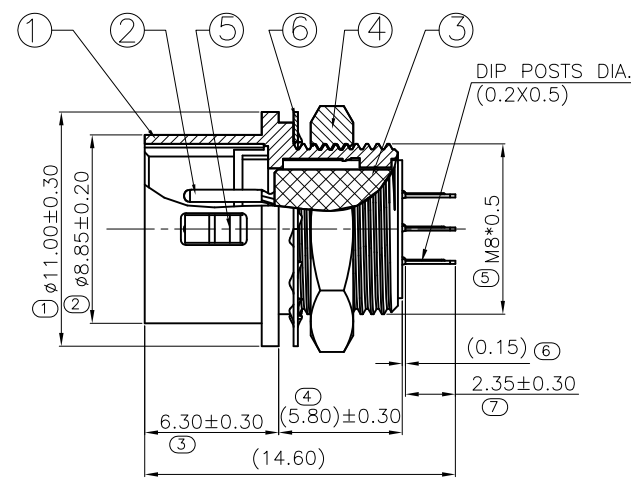
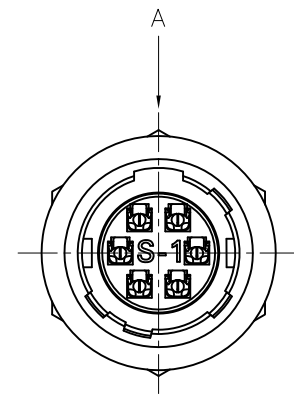


RECOMMENDED PANEL CUTOUT
PCB THICKNESS: 0.7~2mm

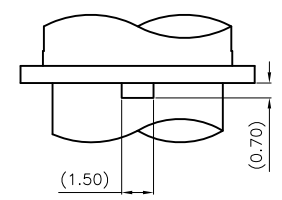


Detailed product description:

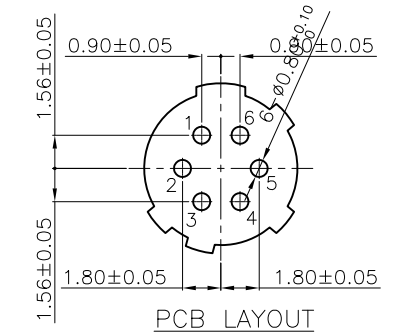
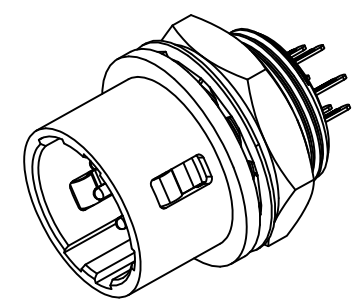
Connector electrical character
Rating voltage: 100V AC, 140V DC,
Rating current : 2A
Insulation resistance: >1000M ohms
Contact resistance of connector ≤10m ohms
Dielectric withstanding voltage: 300V AC R.M.S.Max.

Mechanical characteristics:
Mating / cycle >500 cycles
Operating temperature: -25°C ~ +85°C

*All materials are RoHS compliant.



A DETAIL OF MOUNTING GUIDE



PCB LAYOUT

(INDICATES THE SIDE OF THE SURFACE TO WHICH DIP POSTS ARE INSERTED)

ITEM	PART NO.	SPECIFICATION	Q'TY	UNIT
⑥	WJ00099	6PIN RECEPTACLE METAL GASKET NICKEL PLATED PHOSPHOR BRONZE	1	PCS
⑤	WJ00100	6PIN RECEPTACLE METAL ENHANCER STAINLESS STEEL	1	PCS
④	NU00004	6PIN NICKEL PLATED BRASS NUT	1	PCS
③	CN01036	6PIN MALE INSULATION (PBT+GF,BLACK,UL94V-0)	1	PCS
②	TE01036	6PIN SILVER PLATED PHOSPHOR BRONZE MALE TERMINAL	6	PCS
①	WK00656	6PIN MATTE NICKEL PLATED ZINC ALLOY REAR FASTENED SHELL	1	PCS

SIGNAL [®] Shenzhen Signal Electronics co.,Ltd		TITLE PUSH PULL 6PIN RECEPTACLE (DIP TYPE)	
		SGN NO 950106-03-001	REV. S2
DRAWN BY	DATE	DWG NO	
CHECKED BY	DATE	CUSTOMER	
CHECKED BY	DATE	TOLERANCES ARE:	
APPROVED BY	DATE	DECIMALES .x ±0.5	ANGLES x.' ±2.0'
<small>THE INFORMATION CONTAINED IN THIS DRAWING IS THE SOLE PROPERTY OF SIGNAL COMPANY. ANY REPRODUCTION IN PART OR WHOLE WITHOUT THE WRITTEN PERMISSION OF SIGNAL COMPANY IS PROHIBITED.</small>		.xx ±0.20	.x' ±1.0'
		THIRD ANGLE PROJECTION	SIZE: A4 UNITS: mm
		SCALE: 1:1	SHEET: 1 OF 1