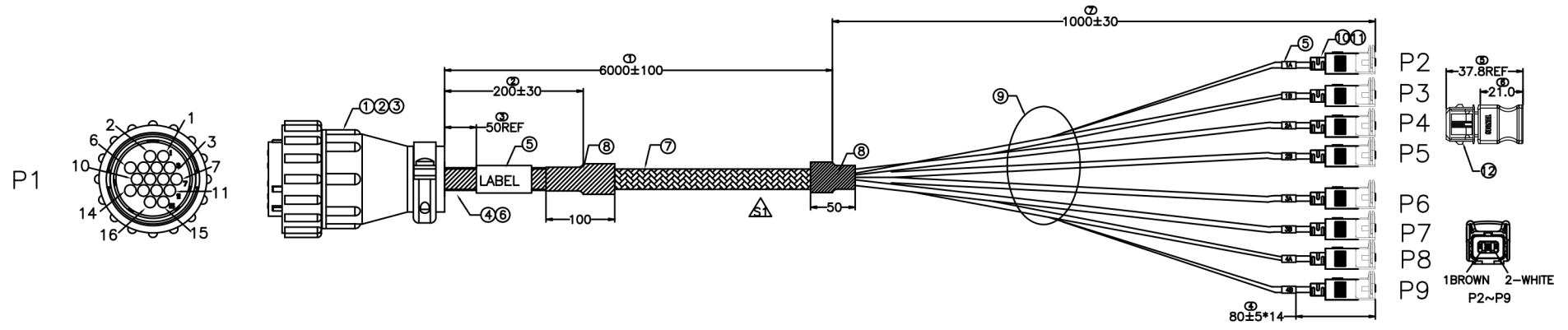


A B C D E F G H I J

REV	DESCRIPTION	DATE	APPROVED
S0	UPDATED DRAWING	2022/09/08	YZH
S1	CHANGE CABLE SPECIFICATIONS	2023/08/16	YZH



<b>SIGNAL</b> <sup>®</sup> Shenzhen Signal Electronics Co., LTD		TITLE		
		CS-CBL-VLV-4FN-A16FAXN -070-C4JFAXL WIRE HARNESS		
DRAWN BY	DATE	SGN NO	940000-00-692	REV.
CHECKED BY	DATE	DWG NO	SGNYD2208136-1-470	S1
CHECKED BY	DATE	CUSTOMER	R987376344	
APPROVED BY	DATE	TOLERANCES ARE:		THIRD ANGLE PROJECTION
THE INFORMATION CONTAINED IN THIS DRAWING IS THE SOLE PROPERTY OF SIGNAL COMPANY. ANY REPRODUCTION IN PART OR WHOLE WITHOUT THE WRITTEN PERMISSION OF SIGNAL COMPANY IS PROHIBITED.		DECIMALES	ANGLES	
		.x ±0.5	x.* ±2.0°	
		.xx ±0.20	.x.* ±1.0°	
		SIZE:	A4	UNITS: mm
		SCALE:		SHEET: 1 OF 2

1  
2  
3  
4  
5  
6  
7  
8

1  
2  
3  
4  
5  
6  
7  
8

A B C D E F G H I J