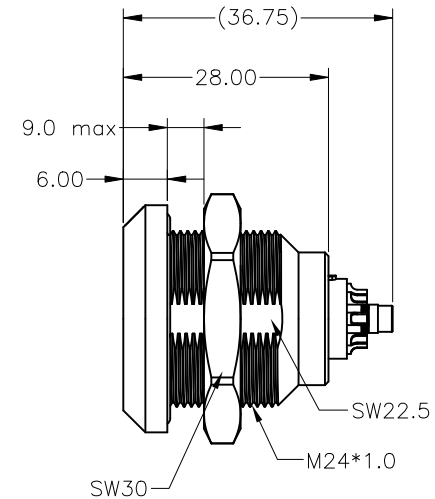
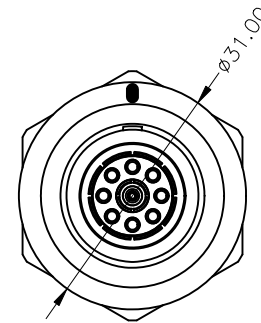


REV	DESCRIPTION	DATE	APPROVED
S0	CREATED DRAWING	2024/10/17	CYF



DETAILED PRODUCT DESCRIPTION:
 PROTECTION GRADE: IP66
 MECHANICAL CHARACTERISTICS: FIT/CYCLE>5000 CYCLES
 WORKING TEMPERATURE: -50°C~+150°C

CONNECTOR MATERIAL
 SHELL MATERIAL: COPPER ALLOY CHROME PLATED
 INSULATOR: PPS/PTEE
 SEALING RING: SILICONE RUBBER
 CONTACT BODY: PHOSPHOR BRONZE PLATED WITH GOLD

*ALL MATERIALS MEET ROHS STANDARD.

Electrical character

Series	PIN Number (Solder)	Terminal∅	Test voltage(KV rms)		Rated current(A)	Characteristic impedance
			Pin-Pin	Pin-Shell		
8+1		1.3	1.65	1.15	13.0	∞
		0.7	∞	0.9	5.0	50Ω

SIGNAL[®]

ShenZhen Signal Electronics co., Ltd

DRAWN BY		DATE	TITLE	
CHECKED BY		DATE	PUSH PULL SELF LOCK CONNECTOR	
CHECKED BY		DATE	SGN NO	SGNEGG.3K.A81.CLL
APPROVED BY		DATE	DWG NO	REV.
			CUSTOMER	S0
<small>THE INFORMATION CONTAINED IN THIS DRAWING IS THE SOLE PROPERTY OF SIGNAL COMPANY. ANY REPRODUCTION IN PART OR WHOLE WITHOUT THE WRITTEN PERMISSION OF SIGNAL COMPANY IS PROHIBITED.</small>		TOLERANCES ARE: DECIMALES ANGLES .x ±0.5 x.' ±2.0' .xx ±0.20 .x' ±1.0'		THIRD ANGLE PROJECTION
		SIZE:	A4	UNITS: mm
		SCALE:		SHEET: