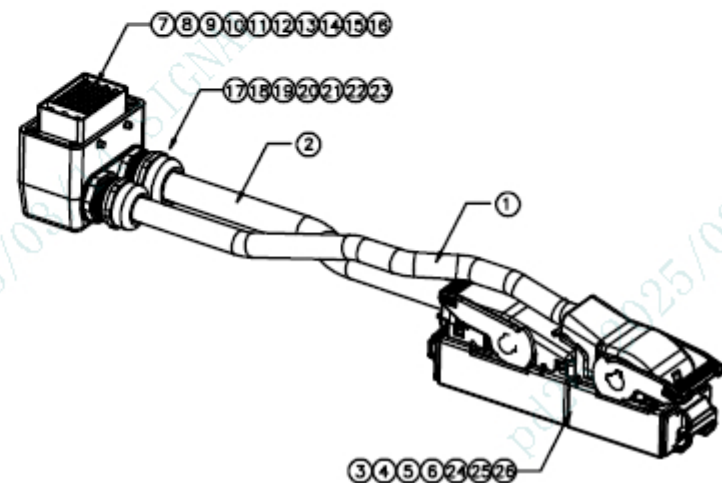


REV	DESCRIPTION	DATE	APPROVED
A0	CREATED DRAWING	2020/07/27	CYF
A1	CREATED DRAWING	2021/01/07	CYF
A2	按实物更新P2端接点标示	2021/02/04	CYF



- 说明:
- 测试条件  
 导通阻抗: 5Ω MAX  
 绝缘阻抗: 10MΩ MIN  
 电压: DC 300V/0.1S
  - 所有材料都符合RoHS标准。
  - 100%开/短路测试或客户特殊要求测试
  - 包装要求: 两端插用气垫袋包裹, 线材用PE膜扎起, 用PE袋包装
  - 乐泰螺纹胶料号: GL00037

 ShenZhen Signal Electronics co., Ltd		TITLE	
		重载连接器公端 (80pin) (90pin+58pin) 带线0.8M	
DRAWN BY	DATE	SGN NO	940000-00-340
CHECKED BY	DATE	DWG NO	SGN01078-470
CHECKED BY	DATE	CUSTOMER	R987496382
APPROVED BY	DATE	TOLERANCES ARE:	THIRD ANGLE PROJECTION
THE INFORMATION CONTAINED IN THIS DRAWING IS THE SOLE PROPERTY OF SIGNAL COMPANY. ANY REPRODUCTION IN PART OR WHOLE WITHOUT THE WRITTEN PERMISSION OF SIGNAL COMPANY IS PROHIBITED.		DECIMALES	ANGLES
		.x ±0.5	.x' ±2.0'
		.xx ±0.20	.x' ±1.0'
		SIZE: A4	UNITS: mm
		SCALE:	SHEET: 1 OF 3