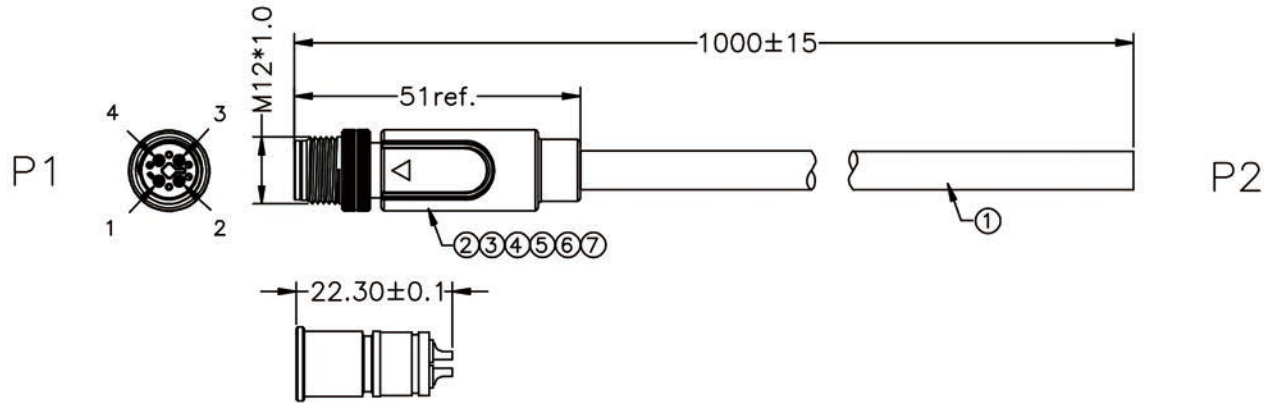


| REV | DESCRIPTION     | DATE       | APPROVED |
|-----|-----------------|------------|----------|
| A0  | CREATED DRAWING | 2020/09/16 | ZHG      |



**说明:**

**1. 测试条件**

导通阻抗:  $5\Omega$  MAX

绝缘阻抗:  $10M\Omega$  MIN

电 压: DC 300V/0.1S

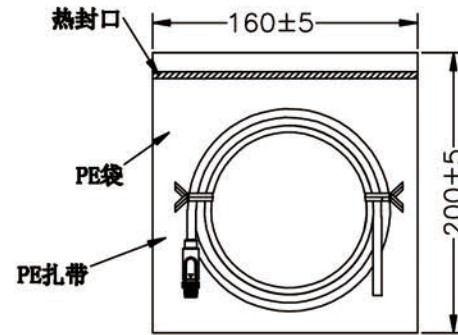
**2. 所有材料都符合RoHS标准。**

**3. 防护等级: P1 端: IP67**

**4. 100%开/短路测试或客户特殊要求测试**

**5. 模具编号: 外模SGW01144/ 内模SGN01002**

**单条包装图示:**



**注: 包装图尺寸仅供参考, 包装时请根据实际情况选择合适尺寸**

|  |      |   |                        |
|--|------|---|------------------------|
| <br><b>SIGNAL</b> ®<br>Shenzhen Signal Electronics Co., LTD  |      | TITLE M12 T CODING 4P/M TO OPEN PUR CABLE |                        |
|  |      | SGN NO 120604-05-002                      | REV. A0                |
| DRAWN BY   | DATE | DWG NO SGN01370-463                       | A0                     |
| CHECKED BY   | DATE | CUSTOMER PXPTPU12FIM04TCL010PUR           |                        |
| APPROVED BY  | DATE | TOLERANCES ARE:                           | THIRD ANGLE PROJECTION |
| <small>THE INFORMATION CONTAINED IN THIS DRAWING IS THE SOLE PROPERTY OF SIGNAL COMPANY. ANY REPRODUCTION IN PART OR WHOLE WITHOUT THE WRITTEN PERMISSION OF SIGNAL COMPANY IS PROHIBITED.</small> |      | DECIMALES .x ±0.5                         | ANGLES x.' ±2.0'       |
|  |      | .xx ±0.20                                 | .x' ±1.0'              |
|  |      | SIZE: A4                                  | UNITS: mm              |
|  |      | SCALE:                                    | SHEET: 1 OF 1          |