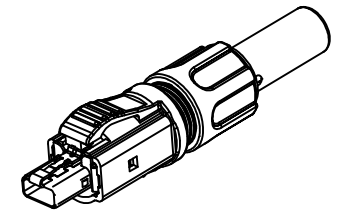
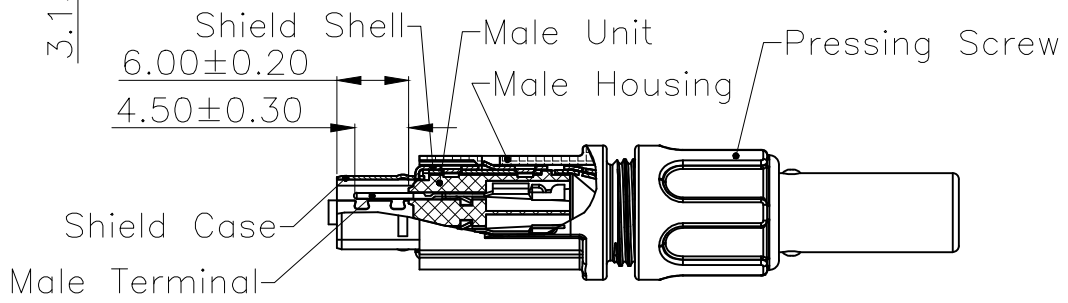
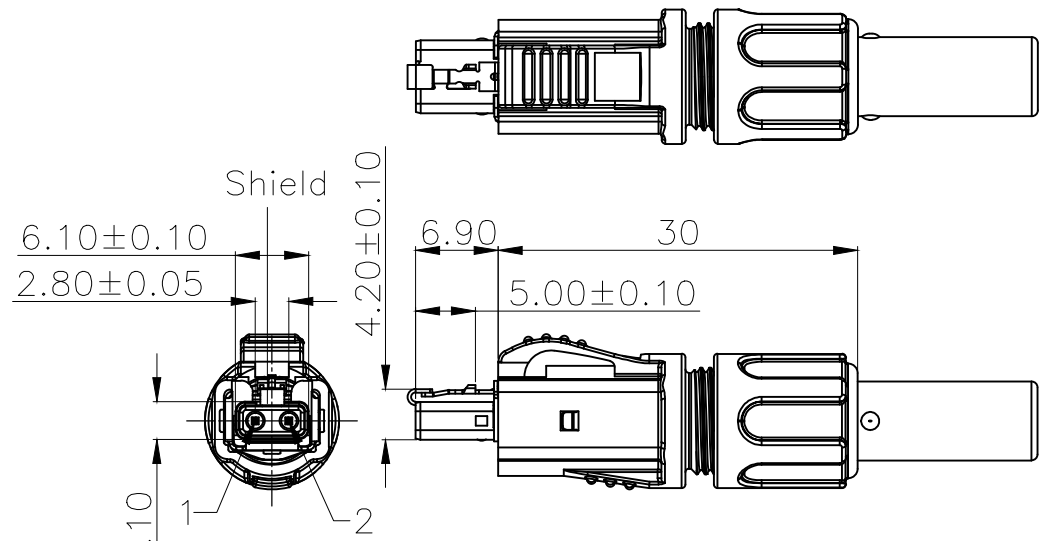



REV	DESCRIPTION	DATE	APPROVED
S0	CREATED DRAWING	2020/10/21	ZCH

Detailed Product Description:  
 Waterproof Connector Rating Is IP20  
 Electrical Character  
 Rating Voltage: 60V DC  
 Insulation Resistance: >500M ohms  
 Rating Current: 4A  
 Contact Resistance: ≤20m ohms  
 Shielding Resistance: ≤100m ohms  
 Other Specification  
 Cable Diameter: 4.5~6mm  
 Operating Temperature: -25°C ~ +85°C  
 Durability: 1000 Mating Cycles Min.  
 \*All Materials Are RoHS Compliant.



⑦	YDNU0098	Pressing Screw, PPS ,Color Black, UL94HB	1	PCS
⑥	YDOR0147	Seal ,TPU,Color:Pantone Black,Shore A Range Of 75A	1	PCS
⑤	YDTK0103	Shield Shell, Stainless Steel, Tin Plated 5um MIN	1	PCS
④	YDTK0102	Shield Case, Stainless Steel, Tin Plated 5um MIN	1	PCS
③	YDTE0828	Male Terminal,Phosphor Bronze, Gold Plated Over Tin On Terminal Area	2	PCS
②	YDWK0488	Male Housing, PPS ,Color Black, UL94HB	1	PCS
①	YDCN0472	Plug Unit, PA ,Color Black, UL94HB	1	PCS
ITEM	PART NO.	SPECIFICATION	Q'TY	UNIT



**SIGNAL**<sup>®</sup>

Shenzhen Signal Electronics Co., LTD

TITLE: SPE 2PIN PLUG CONNECTOR (CRIMP TYPE)

SGN NO: 940000-00-468

DWG NO: \_\_\_\_\_

CUSTOMER: \_\_\_\_\_

REV. S0

DRAWN BY	DATE	TOLERANCES ARE:		THIRD ANGLE PROJECTION
CHECKED BY	DATE	DECIMALES	ANGLES	
APPROVED BY	DATE	.x ±0.5	x.' ±2.0'	SIZE: A4
THE INFORMATION CONTAINED IN THIS DRAWING IS THE SOLE PROPERTY OF SIGNAL COMPANY. ANY REPRODUCTION IN PART OR WHOLE WITHOUT THE WRITTEN PERMISSION OF SIGNAL COMPANY IS PROHIBITED.		.xx ±0.20	.x' ±1.0'	UNITS: mm
		SCALE:		SHEET: 1 OF 1