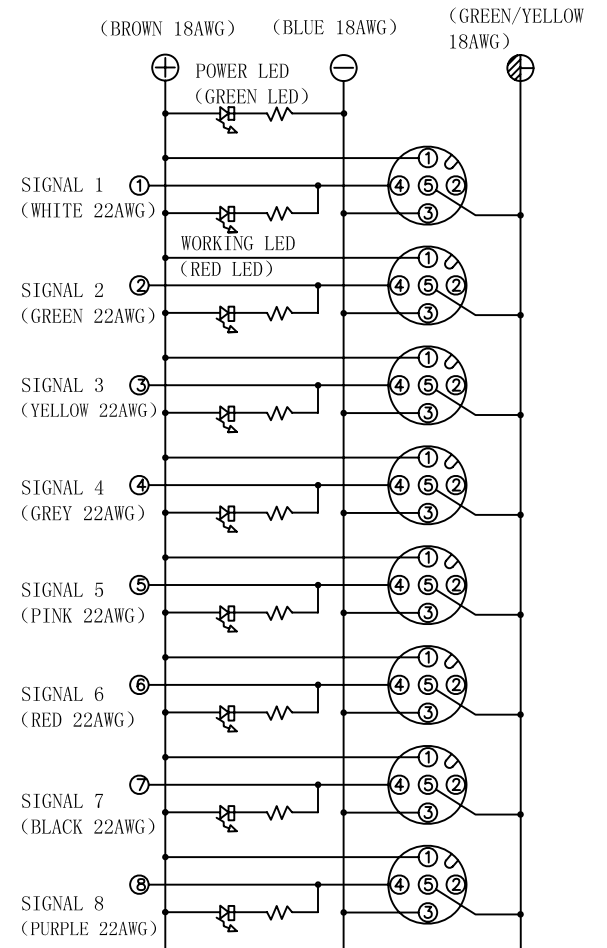
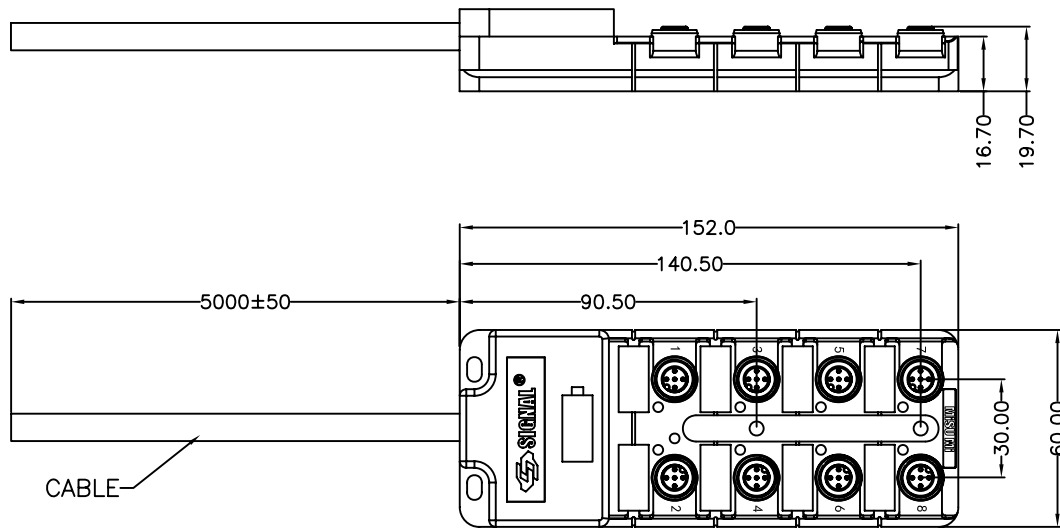


PROJECT NO:
SGNYD1710032-7

REV	DESCRIPTION	DATE	APPROVED
S0	CREATED DRAWING	2017/10/23	YMX
S1	CHANGES TO THE WIRE	2018/11/06	YMX



Detailed Product Description:
Waterproof connector rating is IP67
They can not be used permanently under water.

Connector Electrical character
Rating voltage:60V DC ,
Insulation resistance: >100MΩ
Rating current :4A
Contact resistance of connector ≤10mΩ
Mechanical characteristics: mating / cycle >100 cycle
Operating temperature: -25°C ~ +85°

*ALL MATERIALS ARE RoHS COMPLIANT.

ITEM	PART NO.	SPECIFICATION	Q'TY	UNIT
③	GL00002	BLACK GLUE A/B (ETHOXYLINE RESIN)	130	g
②	N/A	M12 8*5P/F ADAPTER JUNCTION BOX(NPN)	1	SET
①	N/A	CABLE: UL2464 18AWG*3C+22AWG*8C JACKET GRAY PVC OD=8.5MM	1	PCS

SIGNAL[®]

Shenzhen Signal Electronics Co., LTD

DRAWN BY		DATE	
CHECKED BY		DATE	
APPROVED BY		DATE	

TITLE		M12 8*5P/F ADAPTER JUNCTION BOX TO CABLE(PIN4 LED)	
SGN NO	920105-08-612	REV.	
DWG NO	SGNYD1710032-7	CUSTOMER	S1

TOLERANCES ARE:		THIRD ANGLE PROJECTION	
DECIMALES	ANGLES	SIZE: A4	UNITS: mm
.x ±0.5	x.' ±2.0'	SCALE:	SHEET: 1 OF 1
.xx ±0.20	.x' ±1.0'		

THE INFORMATION CONTAINED IN THIS DRAWING IS THE SOLE PROPERTY OF SIGNAL COMPANY. ANY REPRODUCTION IN PART OR WHOLE WITHOUT THE WRITTEN PERMISSION OF SIGNAL COMPANY IS PROHIBITED.