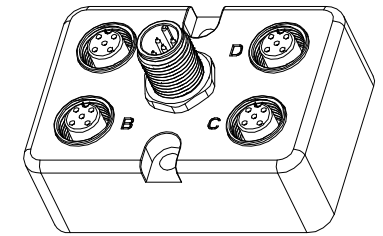
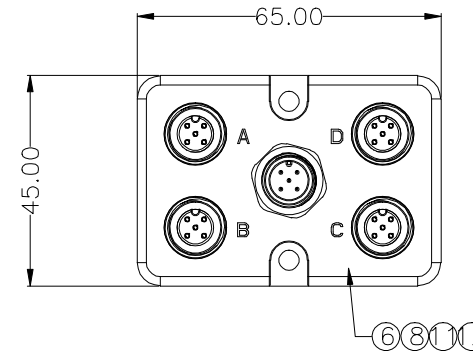
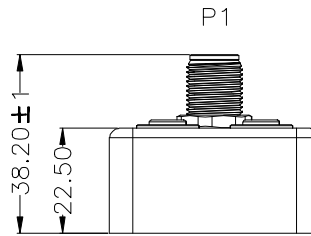


REV	DESCRIPTION	DATE	APPROVED
S0	CREATED DRAWING	2018/02/03	SXY

Detailed Product Description:  
 Waterproof connector rating is IP67  
 They can not be used permanently under water.


Connector Electrical character  
 Rating voltage:60V DC ,  
 Insulation resistance: >100MΩ  
 Rating current :4A  
 Contact resistance of connector ≤10mΩ  
 Mechanical characteristics: mating / cycle >100  
 cycle  
 Operating temperature: -25℃ ~ +85°



\*ALL MATERIALS ARE RoHS COMPLIANT.

⑫	GL00002	Black glue A/B (ethoxyline resin) ) -40℃~+90℃	30	g
⑪	PC00033	PCB CIRCUIT BOARD BOX (50.0*30.0mm)	1	PCS
⑩	OR00012	O-RONG GREEN FKM, ϕ7.0*ϕ1.5mm	4	PCS
⑨	OR00048	O-RONG GREEN FKM, ϕ10.0*ϕ1.5mm	1	PCS
⑧	NU00003	M12*1.0 BRASS NICKEL PLATED NUT L*W=2.8*15mm	1	PCS
⑦	WK00020	M12 BRASS NICKEL PLATED SHELL MALE L=21.0mm	1	PCS
⑥	WK00301	BOX SHELL (65.0*45.0*22.5mm)	1	PCS
⑤	WK00315	M12 BRASS NICKEL PLATED SHELL FEMALE L=17.8mm	4	PCS
④	CN00080	M12 A TYPE 5PIN RUBBER CORE NYLON BLACK FEMALE PINHOLE 5*1.55mm	4	PCS
③	CN00077	M12 A TYPE 5PIN RUBBER CORE NYLON BLACK MALE PINHOLE 5*1.45mm	1	PCS
②	TE00411	M12 PHOSPHOR COPPER GOLD-PLATED 1U' PIN FEMALE L=22.0mm	20	PCS
①	TE00410	M12 BRASS GOLD-PLATED 1U' PIN MALE L=35.6mm	5	PCS
ITEM	PART NO.	SPECIFICATION	Q'TY	UNIT

P1	A	B	C	D
1	1	1	1	1
2	2	2	2	2
3	3	3	3	3
4	4	4	4	4
5	5	5	5	5



**SIGNAL**<sup>®</sup>

Shen Zhen Signal Electronics co.,Ltd

TITLE  
M12 5P/M TO 4\*M12 5P/F

SGN NO 920105-04-001

DWG NO

CUSTOMER

REV. S0

DRAWN BY

CHECKED BY

APPROVED BY

DATE

DATE

DATE

TOLERANCES ARE:  
DECIMALES ANGLES

THIRD ANGLE PROJECTION

SCALE: SHEET: 1 OF 1

THE INFORMATION CONTAINED IN THIS DRAWING IS THE SOLE PROPERTY OF SIGNAL COMPANY. ANY REPRODUCTION IN PART OR WHOLE WITHOUT THE WRITTEN PERMISSION OF SIGNAL COMPANY IS PROHIBITED.