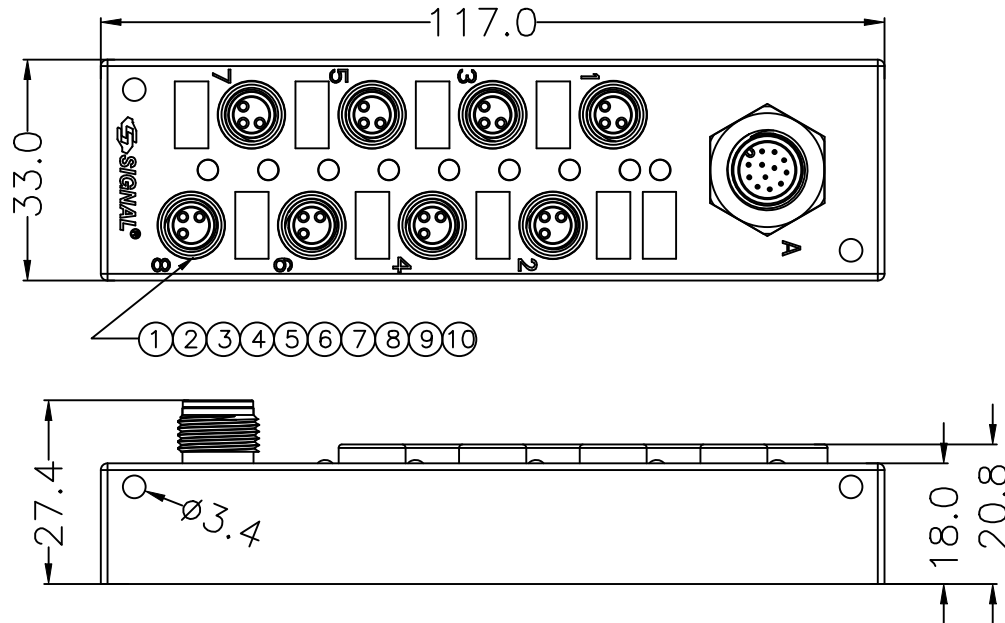


REV	DESCRIPTION	DATE	APPROVED
S0	CREATED DRAWING	2018/09/28	YMX
S1	UPGRADE DRAWING	2023/11/13	XD



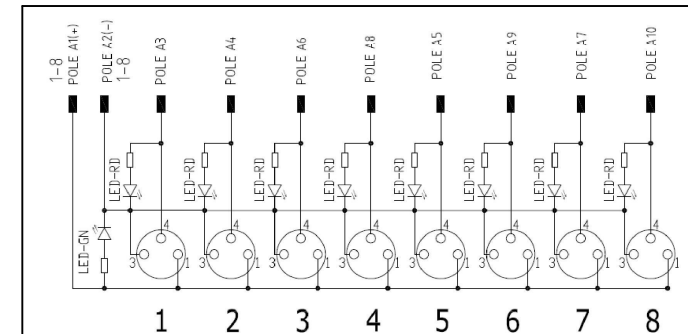
Detailed Product Description:
Waterproof connector rating is IP68
They can not be used permanently under water.

Connector Electrical character
Rating voltage: 30V ,
Insulation resistance: >100MΩ
Rating current : 1.5A
Contact resistance of connector ≤10mΩ
Mechanical characteristics: mating / cycle >100 cycle
Operating temperature: -25°C ~ +85°C

*ALL MATERIALS ARE RoHS COMPLIANT.



Circuit definition



⑩	N/A	LED Ø3.0 GREEN	1	PCS
⑨	N/A	LED Ø3.0 RED	8	PCS
⑧	GL00002	BLACK EPOXY RESIN	30	g
⑦	TE00475	M12 MALE 12P TERMINAL GOLD PLATED 1U'	12	PCS
⑥	WK00362	THE JUNCTION BOX M12 MALE SHELL	1	PCS
⑤	PC00058	M12 TO M8 PCB CIRCUIT BOARD	1	PCS
④	CN00112	M8 3P RUBBER CORE	8	PCS
③	TE00476	M8 FEMALE 3P TERMINAL GOLD PLATED 1U'	24	PCS
②	WK00363	THE JUNCTION BOX M8 FEMALE SHELL (Ø10.0*5.0*14.5)	8	PCS
①	WK00427-1	THE JUNCTION BOX (8+1) SHELL (8*M8+M12) PLASTIC SHELL	1	PCS
ITEM	PART NO.	SPECIFICATION	Q'TY	UNIT

SIGNAL [®] Shenzhen Signal Electronics Co., LTD		TITLE	
		Junction box (8 + 1) (8 * M8 + M12)	
DRAWN BY		DATE	REV.
CHECKED BY		DATE	920103-08-002
CHECKED BY		DATE	SGN01131-437
APPROVED BY		DATE	CUSTOMER
THE INFORMATION CONTAINED IN THIS DRAWING IS THE SOLE PROPERTY OF SIGNAL COMPANY. ANY REPRODUCTION IN PART OR WHOLE WITHOUT THE WRITTEN PERMISSION OF SIGNAL COMPANY IS PROHIBITED.		S1	
TOLERANCES ARE:		THIRD ANGLE PROJECTION	
DECIMALES	ANGLES	SIZE: A4	UNITS: mm
.x ±0.5	x.' ±2.0'	SCALE:	SHEET: 1 OF 1
.xx ±0.20	.x' ±1.0'		