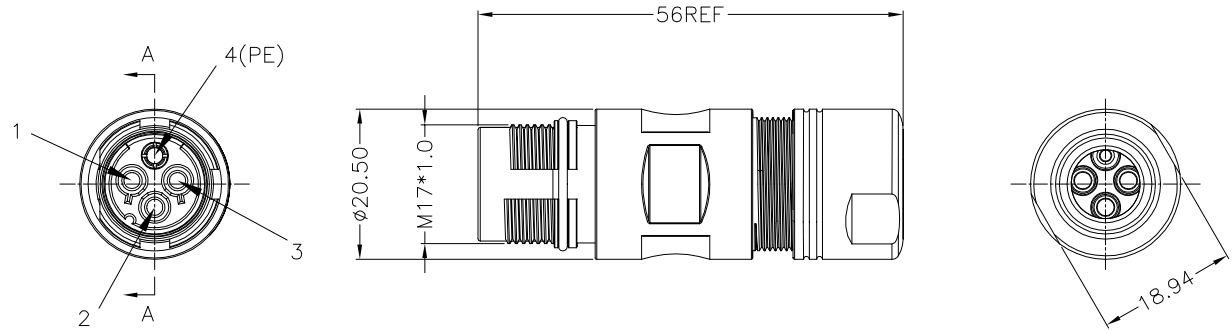


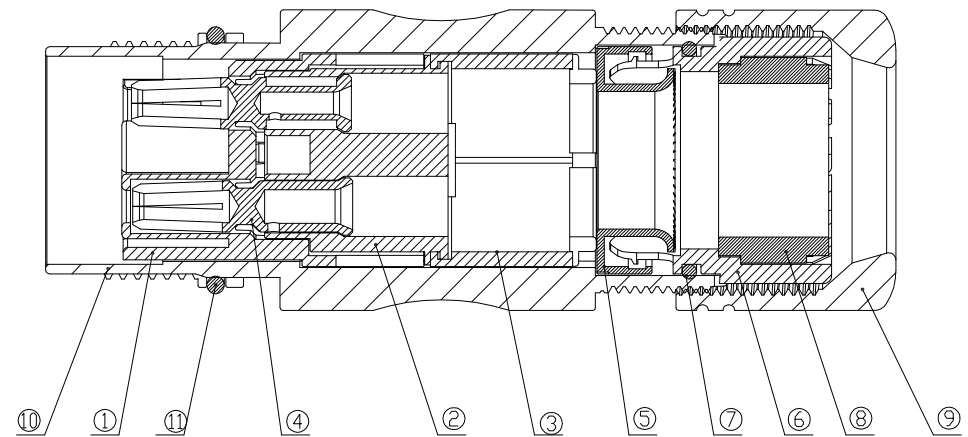
| REV | DESCRIPTION | DATE | APPROVED |
|-----|-----------------|------------|----------|
| S0 | CREATED DRAWING | 2022/11/10 | CHZ |



DETAILED PRODUCT DESCRIPTION:
 WATERPROOF CONNECTOR RATING IS IP67
 THEY CAN NOT BE USED PERMANENTLY UNDER WATER
 PER ISO-20653, IEC60529


ELECTRICAL PROPERTIES AT +20°C
 RATING VOLTAGE: 630V AC/DC
 INSULATION RESISTANCE: >100MΩ
 RATING CURRENT: 25A
 CONTACT RESISTANCE OF CONNECTOR ≤5mΩ
 MECHANICAL CHARACTERISTICS: MATING CYCLE >100 CYCLES
 OPERATING TEMPERATURE: -25°C ~ +125°C

THE TERMINALS (④) ARE PACKAGED SEPARATELY
 ALL MATERIALS ARE ROHS COMPLIANT



截面A-A
2:1

| | | | | |
|------|----------|--|------|------|
| ⑪ | OR00209 | M17 BLACK O-RING $\phi 14.8 \times 1.2 \text{mm}$ | 1 | PCS |
| ⑩ | YDVK0686 | M17 BRASS WITH NI PLATING FEMALE SHELL L=46.5mm | 1 | PCS |
| ⑨ | YDNU0137 | M17 BRASS NICKEL PLATED TAIL NUT $\phi 20.5 \times 15 \text{MM}$ | 1 | PCS |
| ⑧ | OR00281 | M17 9PIN REAR SEAL RING | 1 | PCS |
| ⑦ | YDOR0208 | M17 GREEN O-RING $\phi 14.0 \times 1.0 \text{mm}$ | 1 | PCS |
| ⑥ | CN01291 | M17 BLACK TAIL SIX CLAWS(PA66) | 1 | PCS |
| ⑤ | YDCN0873 | M17 BRASS NICKEL PLATED TAIL COLLAR | 1 | PCS |
| ④ | YDTE1145 | M17 RIVETED COPPER GOLD PLATED 1U" FEMALE TERMINAL, $\phi 2.0 \text{MM}$ | 4 | PCS |
| ③ | YDCN0872 | M17 BLACK BUCKLE(PA66) L=11.3mm | 1 | PCS |
| ② | YDCN0975 | M17 4PIN WHITE FEMALE REAR HOUSING (PA66+GF) | 1 | PCS |
| ① | YDCN0977 | M17 4PIN BLACK FEMALE FRONT HOUSING (PA66+GF) | 1 | PCS |
| ITEM | PART NO. | SPECIFICATION | Q'TY | UNIT |



SIGNAL[®]

Shenzhen Signal Electronics co.,Ltd

| | | | | |
|-------------|--|------|---------------------------|------------------------|
| DRAWN BY | | DATE | TITLE | |
| CHECKED BY | | DATE | M17 4PIN(3+PE) 母头金属装配式连接器 | |
| CHECKED BY | | DATE | SGN NO | 170004-02-001 |
| APPROVED BY | | DATE | DWG NO | |
| | | | CUSTOMER | S0 |
| | | | TOLERANCES ARE: | THIRD ANGLE PROJECTION |
| | | | DECIMALES | ANGLES |
| | | | .x ± 0.5 | x.' $\pm 2.0'$ |
| | | | .xx ± 0.2 | .x' $\pm 1.0'$ |
| | | | SIZE: A4 | UNITS: mm |
| | | | SCALE: 1:1 | SHEET: 1 OF 1 |