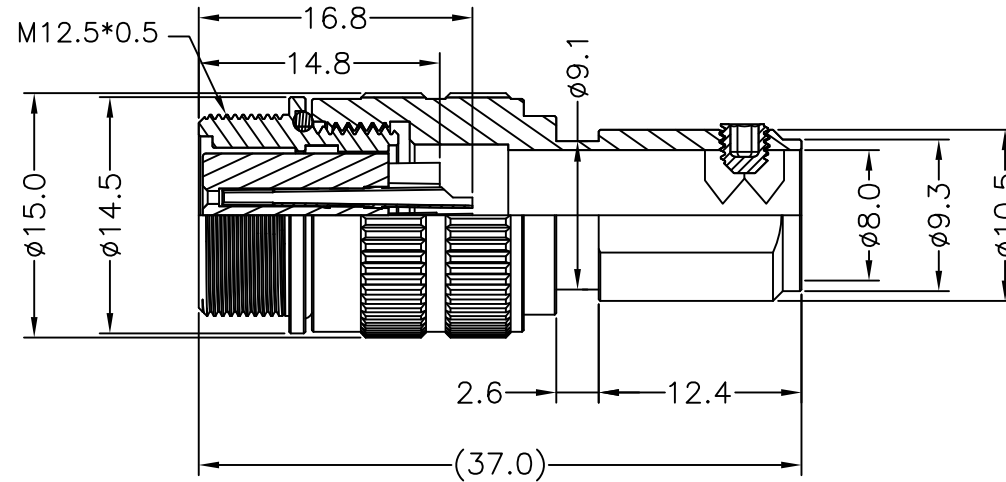
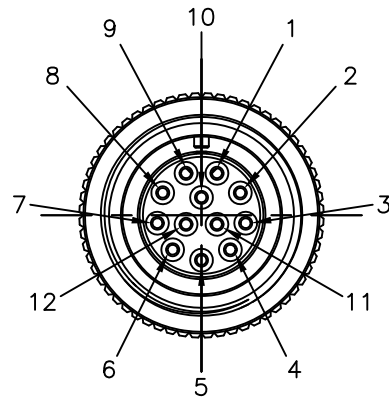


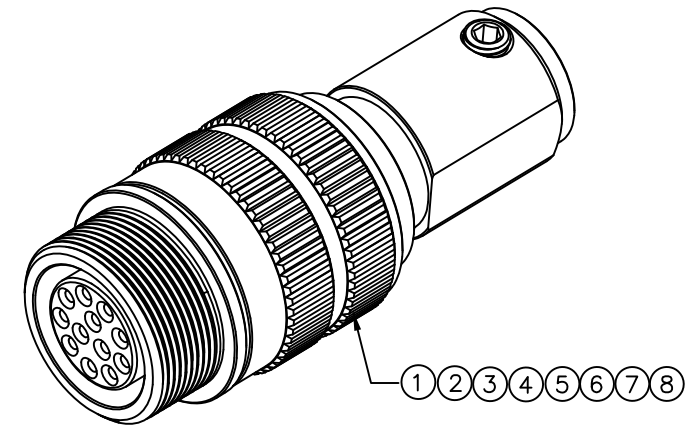
REV	DESCRIPTION	DATE	APPROVED
S0	CREATED DRAWING	2021/11/08	ZK



Detailed Product Description:
 Waterproof connector rating is IP67
 They can not be used permanently under water

Electrical character
 Rating voltage: 300V AC/DC
 Insulation resistance: >100MΩ
 Rating current: 2A
 Contact resistance ≤10mΩ
 Operating temperature: -25°C ~ +85°C

*ALL MATERIALS ARE RoHS COMPLIANT.



⑧	N/A	SCREW	STAINLESS STEEL	N/A	1	PCS
⑦	N/A	CLIP	BRASS	SSPC-SP8	1	PCS
⑥	N/A	O-RING BLACK	SILICON	N/A	1	PCS
⑤	N/A	BODY	BRASS	NI	1	PCS
④	N/A	INSULATOR	PA66	N/A	1	PCS
③	N/A	TERMINAL-L	PHOSPHOR BRONZE	AU	3	PCS
②	N/A	TERMINAL	PHOSPHOR BRONZE	AU	9	PCS
①	N/A	NUT	ZINC ALLOY	NI	1	PCS
ITEM	PART NO.	SPECIFICATION	MATERIAL	COATING	Q'TY	UNIT

SIGNAL [®] ShenZhen Signal Electronics co.,Ltd		TITLE SAMWOO 12PIN FEMALE CONNECTOR	
		SGN NO 940012-21-001	REV.
DRAWN BY	DATE	DWG NO SGNYD2110080-2	S0
CHECKED BY	DATE	CUSTOMER SWA-10W-12	
CHECKED BY	DATE	TOLERANCES ARE:	
APPROVED BY	DATE	DECIMALES .x ±0.2 .xx ±0.10	ANGLES x.' ±2.0' .x' ±1.0'
<small>THE INFORMATION CONTAINED IN THIS DRAWING IS THE SOLE PROPERTY OF SIGNAL COMPANY. ANY REPRODUCTION IN PART OR WHOLE WITHOUT THE WRITTEN PERMISSION OF SIGNAL COMPANY IS PROHIBITED.</small>		THIRD ANGLE PROJECTION	
		SIZE: A4	UNITS: mm
		SCALE:	SHEET: 1 OF 1