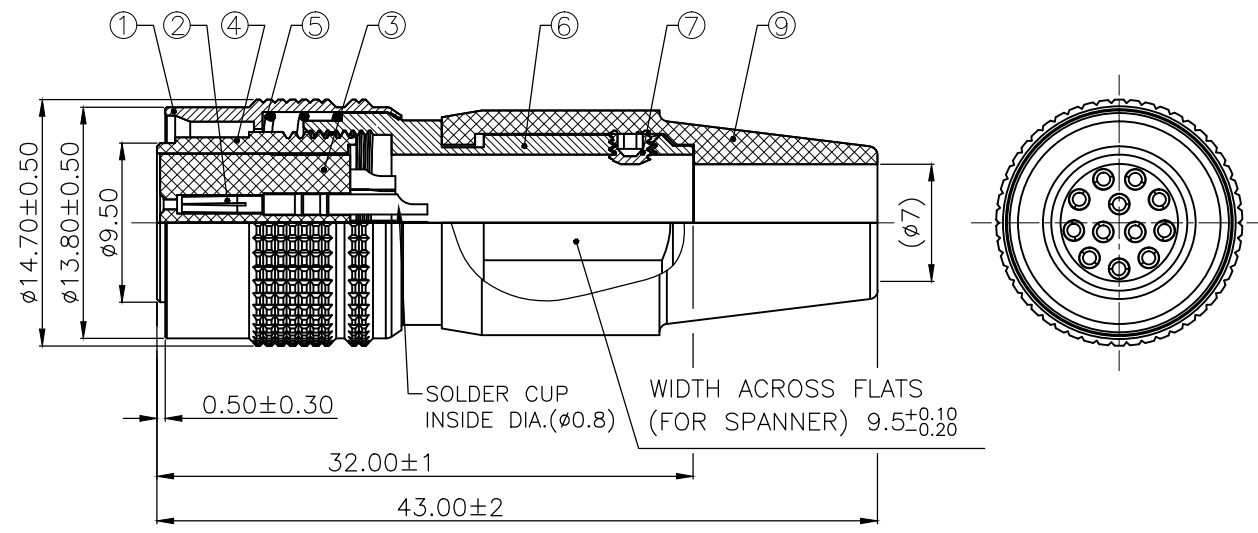
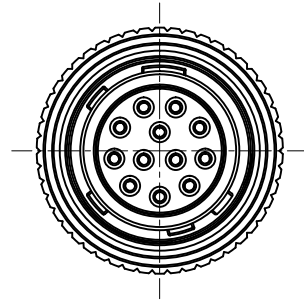
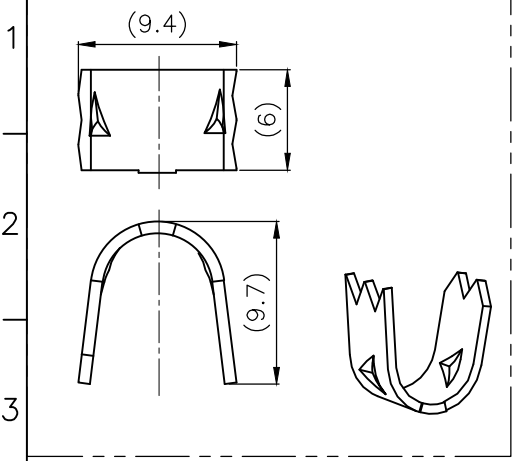


REV	DESCRIPTION	DATE	APPROVED
S0	CREATED DRAWING	2021/09/10	ZCH



Detailed product description:

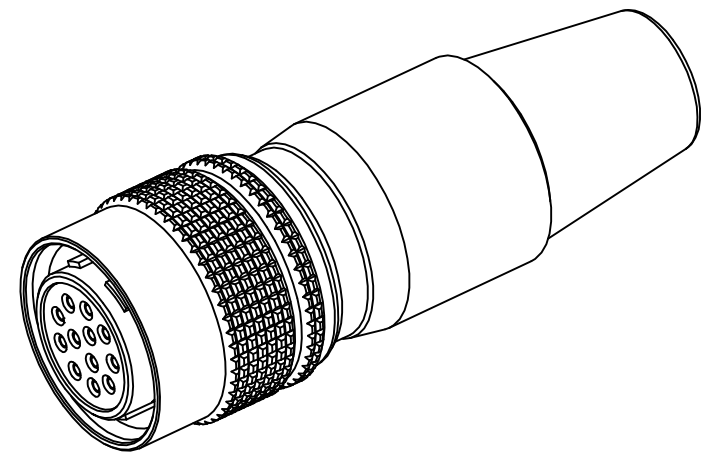
Connector electrical character

- Rating voltage: 100V AC, 140V DC,
- Rating current : 2A
- Insulation resistance: >1000M ohms
- Contact resistance of connector ≤10m ohms
- Dielectric withstanding voltage: 300V AC R.M.S.Max.


Mechanical characteristics:

- Mating cycles >1000 cycles
- Operating temperature: -25°C ~ +85°C
- Storage temperature: -10°C ~ +60°C
- Cable OD: 7.0mm
- Applicable Wire: 0.15mm²(26AWG),

*All materials are RoHS compliant.



⑨	N/A	12PIN PLUG CR RUBBER, BLACK	1	PCS
⑧	N/A	12PIN PLUG BRASS BUCKLE	1	PCS
⑦	N/A	12PIN PLUG NICKEL PLATED BRASS NUT	1	PCS
⑥	N/A	12PIN PLUG MOUNTING FRAME SHELL NICKEL PLATED BRASS	1	PCS
⑤	N/A	12PIN PLUG STAINLESS STEEL SPRING	1	PCS
④	N/A	12PIN PLUG NICKEL PLATED BRASS BODY	1	PCS
③	N/A	12PIN PLUG A CODING 6PIN FEMALE INSULATION (PA66+GF)	1	PCS
②	N/A	12PIN PLUG SILVER PLATED PHOSPHOR BRONZE FEMALE TERMINAL	6	PCS
①	N/A	12PIN PLUG MATTE NICKEL PLATED BRASS REAR FASTENED SHELL	1	PCS
ITEM	PART NO.	SPECIFICATION	Q'TY	UNIT



SIGNAL[®]

Shenzhen Signal Electronics co.,Ltd

TITLE: PUSH PULL 12PIN PLUG (SOLDER TYPE)

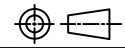
SGN NO: 950112-21-001

DWG NO: _____

CUSTOMER: _____

TOLERANCES ARE:

DECIMALES	ANGLES
.x ±0.5	x.' ±2.0'
.xx ±0.20	.x' ±1.0'

THIRD ANGLE PROJECTION 

SIZE: A4 UNITS: mm

SCALE: 1:1 SHEET: 1 OF 1

DRAWN BY	DATE	REV.
CHECKED BY	DATE	S0
CHECKED BY	DATE	
APPROVED BY	DATE	

THE INFORMATION CONTAINED IN THIS DRAWING IS THE SOLE PROPERTY OF SIGNAL COMPANY. ANY REPRODUCTION IN PART OR WHOLE WITHOUT THE WRITTEN PERMISSION OF SIGNAL COMPANY IS PROHIBITED.