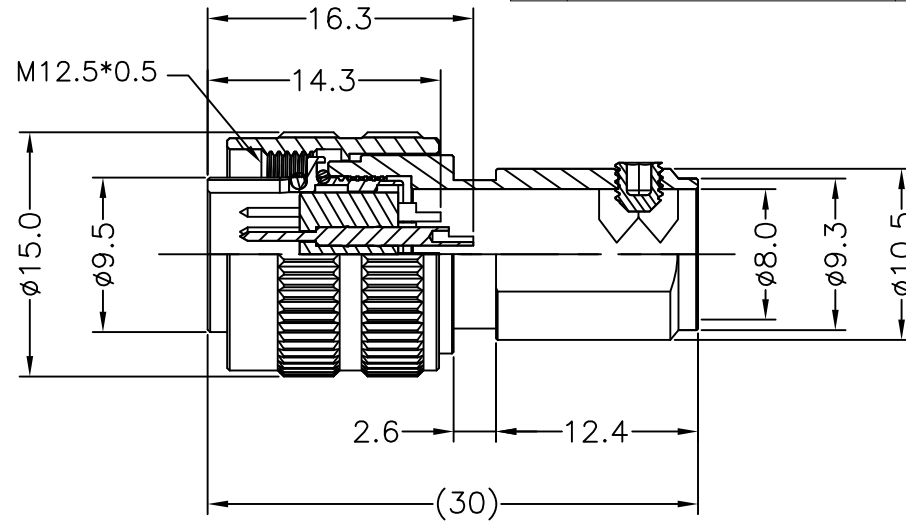
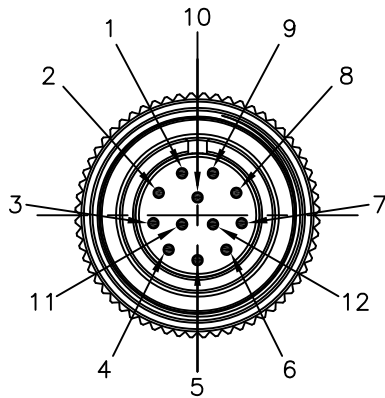


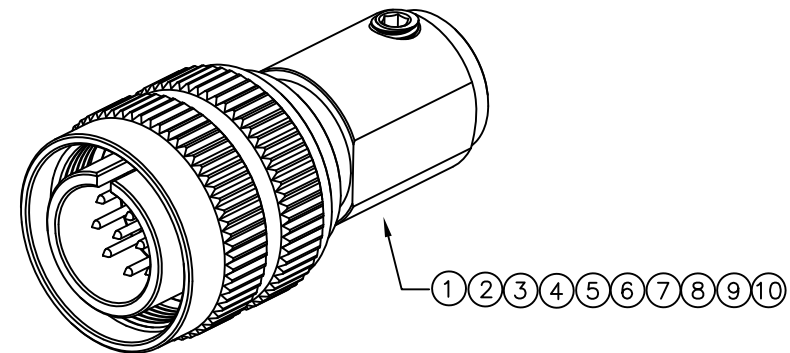
REV	DESCRIPTION	DATE	APPROVED
S0	CREATED DRAWING	2021/11/08	ZK



Detailed Product Description:
Waterproof connector rating is IP67
They can not be used permanently under water

Electrical character
Rating voltage: 300V AC/DC
Insulation resistance: >100MΩ
Rating current: 2A
Contact resistance ≤10mΩ
Operating temperature: -25°C ~ +85°C

*ALL MATERIALS ARE RoHS COMPLIANT.



⑩	N/A	SCREW	STAINLESS STEEL	N/A	1	PCS
⑨	N/A	CLIP	BRASS	SSPC-SP8	1	PCS
⑧	N/A	CAP	BRASS	NI	1	PCS
⑦	N/A	O-RING BLACK	SILICON	N/A	1	PCS
⑥	N/A	O-RING RED	SILICON	N/A	1	PCS
⑤	N/A	BODY	BRASS	NI	1	PCS
④	N/A	INSULATOR	PA66	N/A	1	PCS
③	N/A	TERMINAL-L	BRASS	AU	3	PCS
②	N/A	TERMINAL	BRASS	AU	9	PCS
①	N/A	NUT	BRASS	NI	1	PCS
ITEM	PART NO.	SPECIFICATION	MATERIAL	COATING	Q'TY	UNIT

SIGNAL [®] ShenZhen Signal Electronics co.,Ltd		TITLE SAMW00 12PIN MALE CONNECTOR	
		SGN NO 940012-20-001	REV.
DRAWN BY	DATE	DWG NO SGNYD2110080-1	S0
CHECKED BY	DATE	CUSTOMER SW-10W-12(P)	
CHECKED BY	DATE	TOLERANCES ARE:	
APPROVED BY	DATE	DECIMALES .x ±0.2	ANGLES x.' ±2.0'
<small>THE INFORMATION CONTAINED IN THIS DRAWING IS THE SOLE PROPERTY OF SIGNAL COMPANY. ANY REPRODUCTION IN PART OR WHOLE WITHOUT THE WRITTEN PERMISSION OF SIGNAL COMPANY IS PROHIBITED.</small>		THIRD ANGLE PROJECTION	UNITS: mm
		SCALE:	SHEET: 1 OF 1